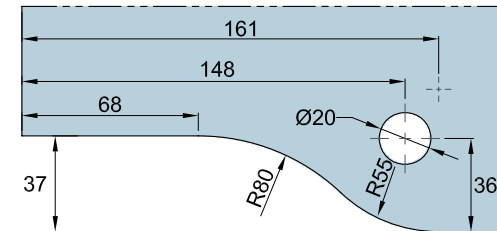
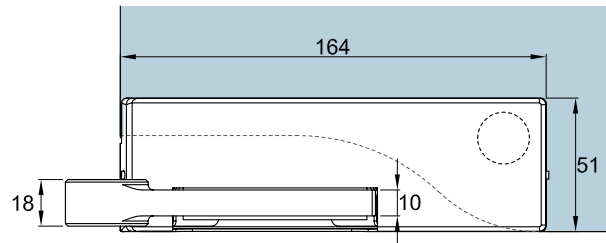
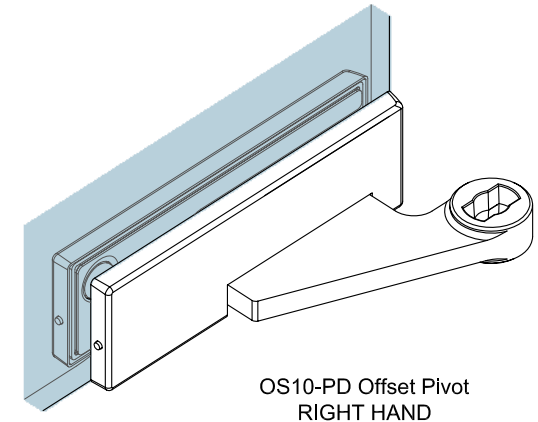
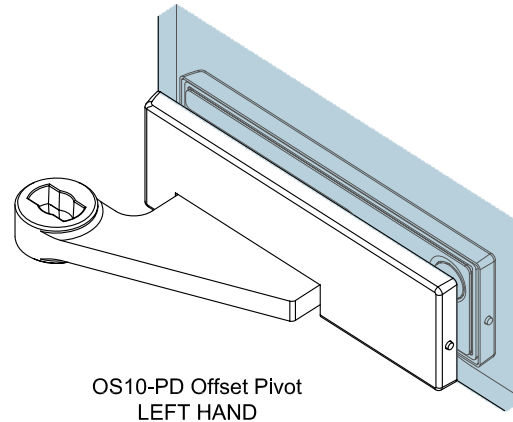
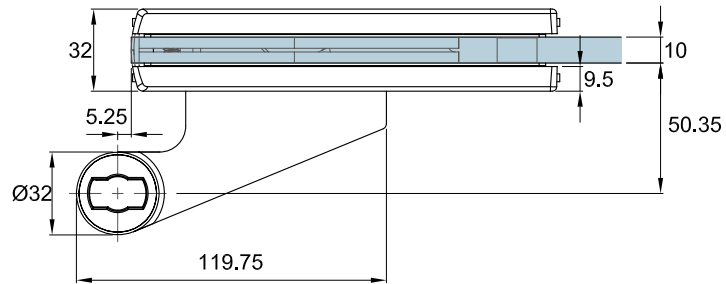


Glass Thickness	10 - 12 mm Glass Thickness
Material	SUS304
Material Finish	Satin Stainless Steel



Glass Preparation



Preference Pte. Ltd.
www.preference.com.sg

Model: OS10-PD Offset Pivot

Art. No.

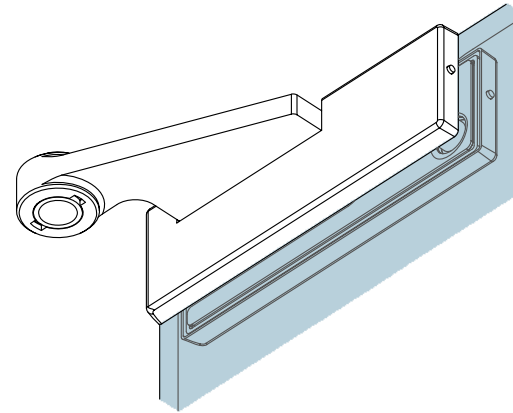
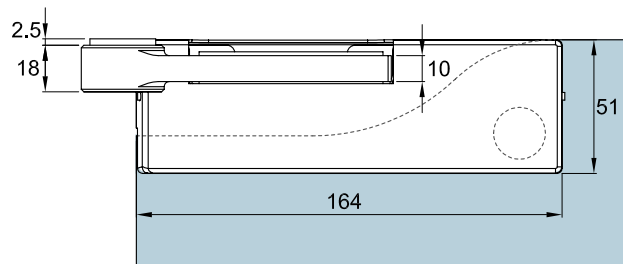
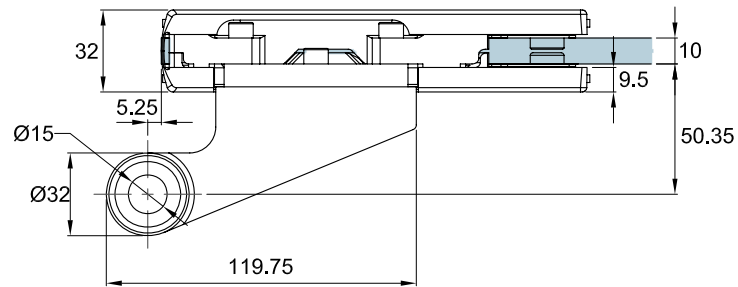


Date : 26-JULY-2014

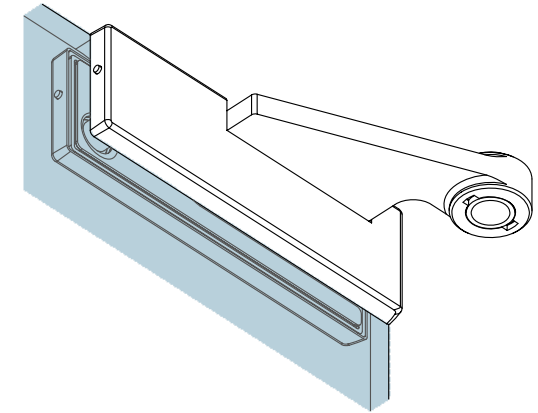
Disclaimer:

This drawing shows the actual stage of product development at the date indicated. No claims or damages in any form can be made against Preference Pte. Ltd. as a result of the interpretation of this drawing. This drawing remains the property of Preference Pte. Ltd. and is made available to third parties only for the duration of contractual obligations. All rights connected with this drawing remain in possession of Preference Pte. Ltd. This drawing may not be copied or handed over to third parties without the express consent of Preference Pte. Ltd.

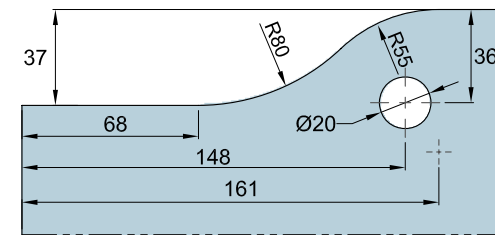
Glass Thickness	10 - 12 mm Glass Thickness
Material	SUS304
Material Finish	Satin Stainless Steel



OS20-PD Offset Pivot
LEFT HAND



OS20-PD Offset Pivot
RIGHT HAND



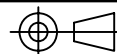
Glass Preparation



Preference Pte. Ltd.
www.preference.com.sg

Model: OS20-PD Offset Pivot

Art. No.

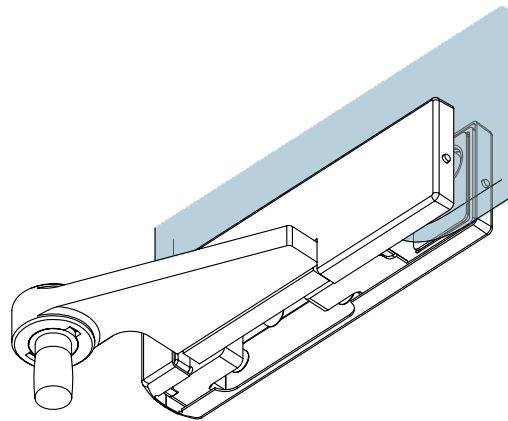
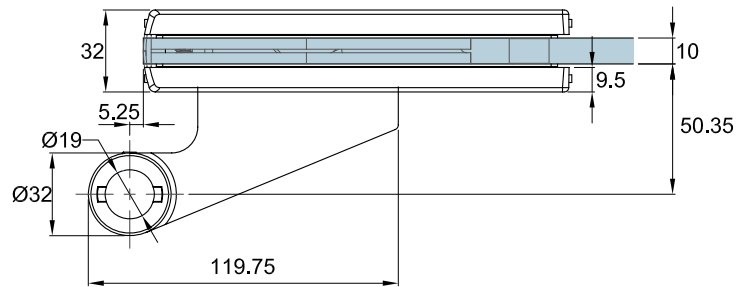


Date : 26-JULY-2014

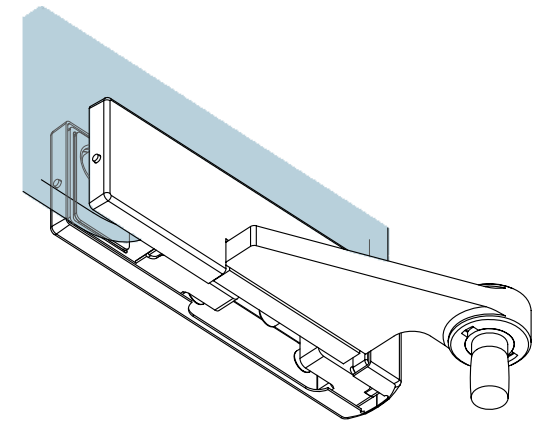
Disclaimer:

This drawing shows the actual stage of product development at the date indicated. No claims or damages in any form can be made against Preference Pte. Ltd. as a result of the interpretation of this drawing. This drawing remains the property of Preference Pte. Ltd. and is made available to third parties only for the duration of contractual obligations. All rights connected with this drawing remain in possession of Preference Pte. Ltd. This drawing may not be copied or handed over to third parties without the express consent of Preference Pte. Ltd.

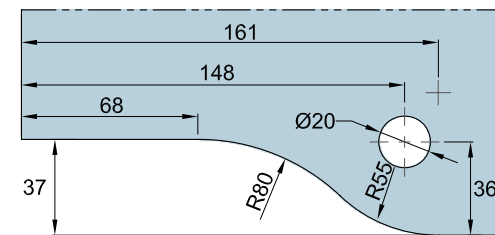
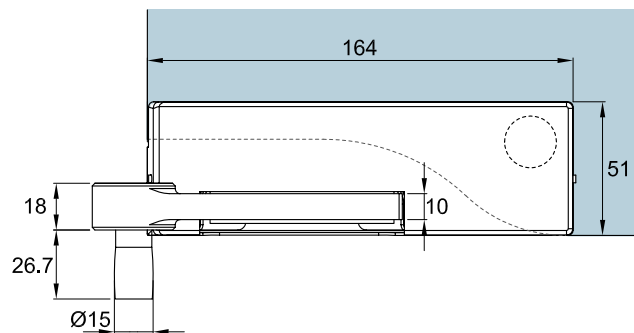
Glass Thickness	10 - 12 mm Glass Thickness
Material	SUS304
Material Finish	Satin Stainless Steel



OS30-PD Offset Pivot
LEFT HAND



OS30-PD Offset Pivot
RIGHT HAND



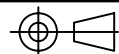
Glass Preparation



Preference Pte. Ltd.
www.preference.com.sg

Model: OS30-PD Offset Pivot

Art. No.

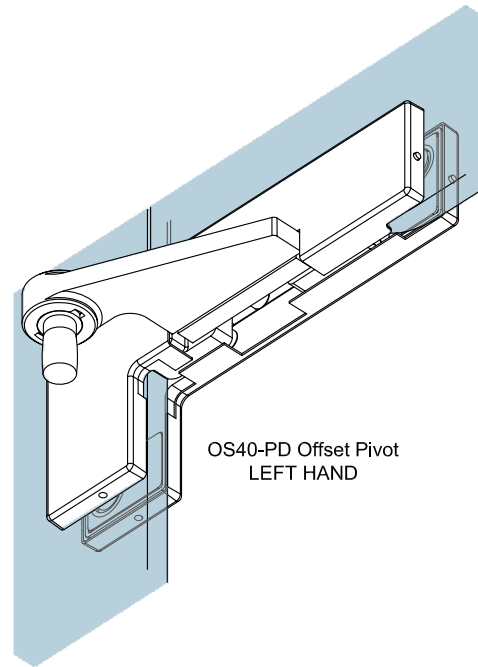
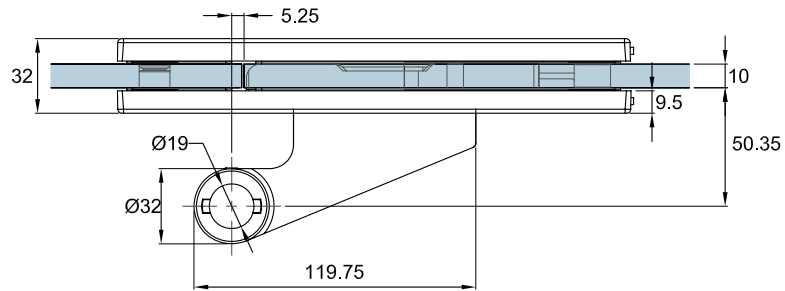


Date : 26-JULY-2014

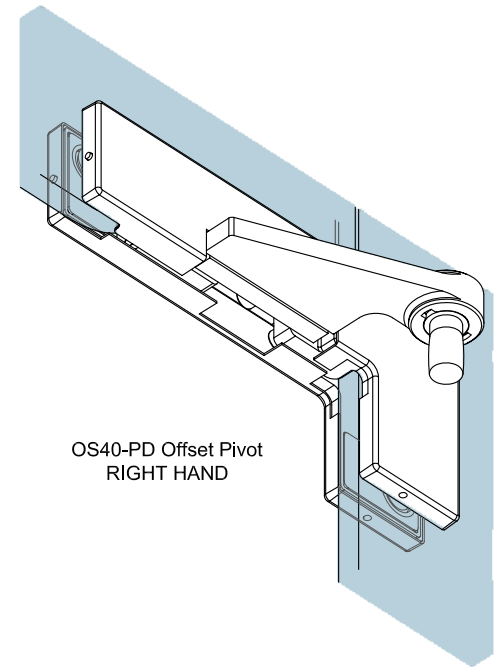
Disclaimer:

This drawing shows the actual stage of product development at the date indicated. No claims or damages in any form can be made against Preference Pte. Ltd. as a result of the interpretation of this drawing. This drawing remains the property of Preference Pte. Ltd. and is made available to third parties only for the duration of contractual obligations. All rights connected with this drawing remain in possession of Preference Pte. Ltd. This drawing may not be copied or handed over to third parties without the express consent of Preference Pte. Ltd.

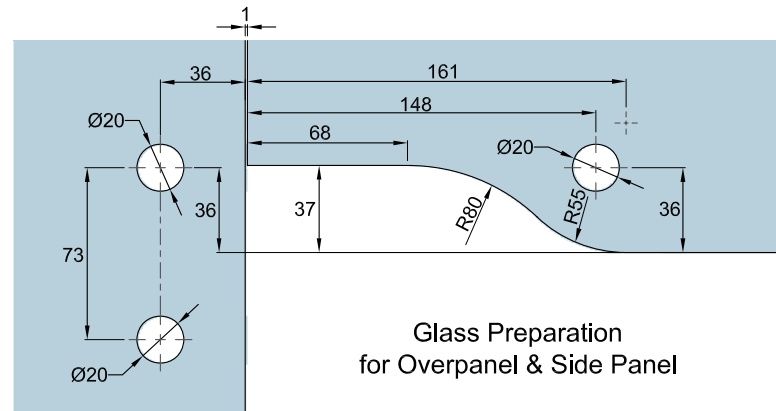
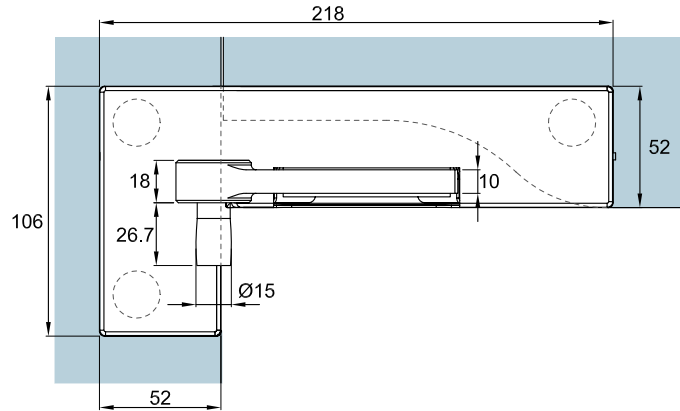
Glass Thickness	10 - 12 mm Glass Thickness
Material	SUS304
Material Finish	Satin Stainless Steel



OS40-PD Offset Pivot
LEFT HAND



OS40-PD Offset Pivot
RIGHT HAND



Glass Preparation
for Overpanel & Side Panel



Preference Pte. Ltd.
www.preference.com.sg

Model: OS40-PD Offset Pivot

Art. No.

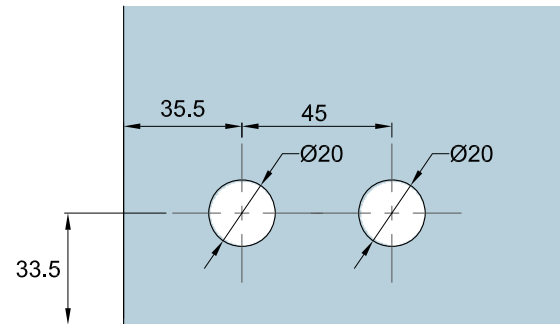
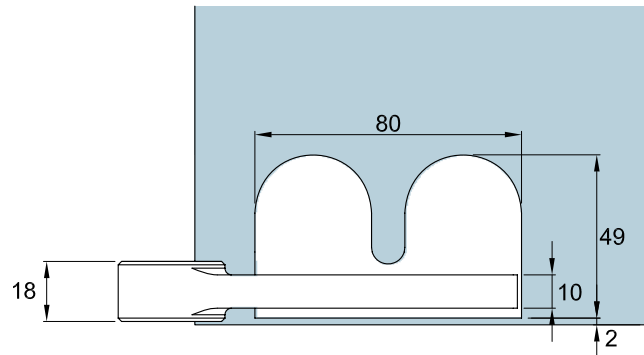
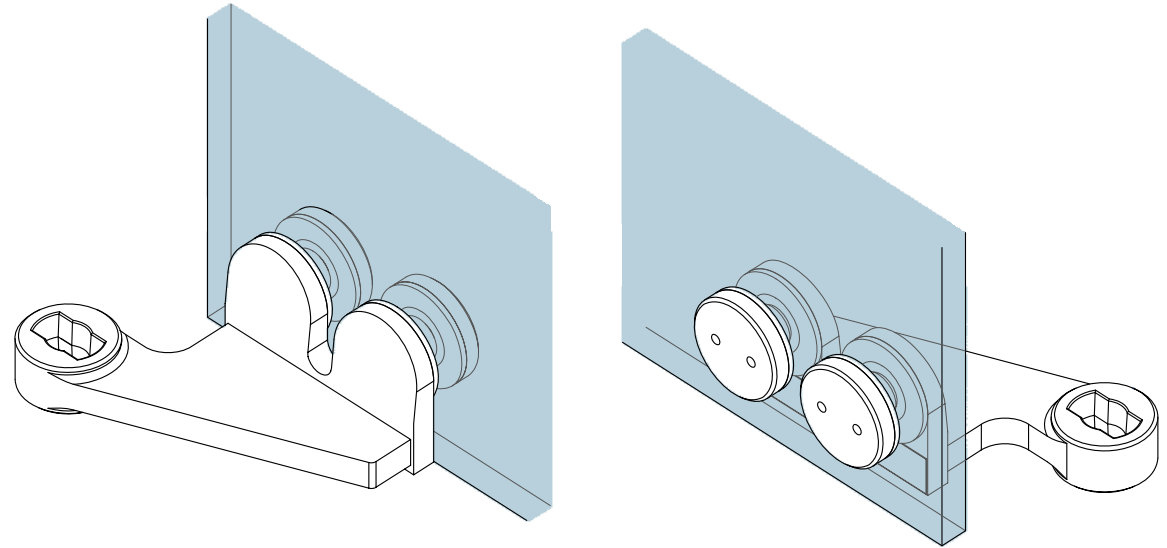
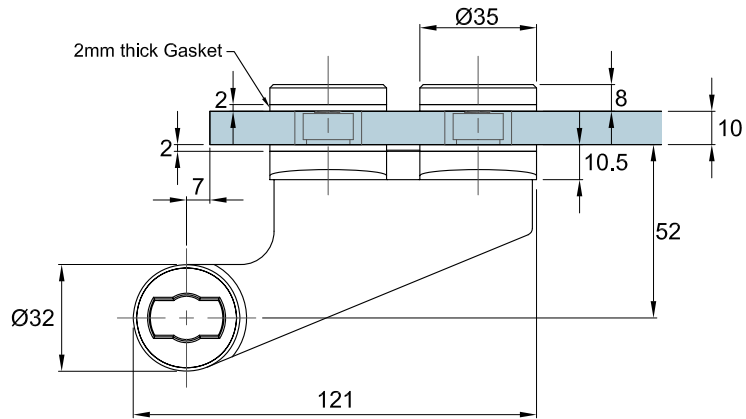


Date : 26-JULY-2014

Disclaimer:

This drawing shows the actual stage of product development at the date indicated. No claims or damages in any form can be made against Preference Pte. Ltd. as a result of the interpretation of this drawing. This drawing remains the property of Preference Pte. Ltd. and is made available to third parties only for the duration of contractual obligations. All rights connected with this drawing remain in possession of Preference Pte. Ltd. This drawing may not be copied or handed over to third parties without the express consent of Preference Pte. Ltd.

Glass Thickness	8 - 12 mm Glass Thickness
Material	SUS304
Material Finish	Satin Stainless Steel



Glass Preparation



Preference Pte. Ltd.
www.preference.com.sg

Model: OS10-FHA Offset Pivot (NON-HANDED)

Art. No.

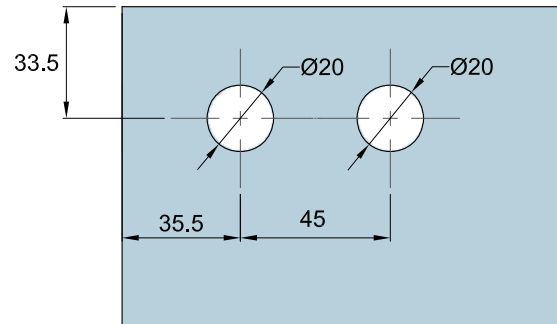
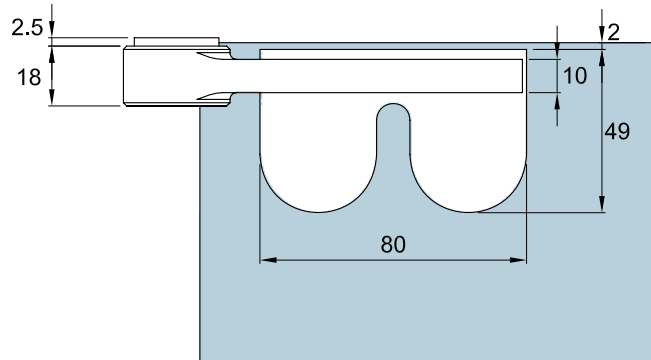
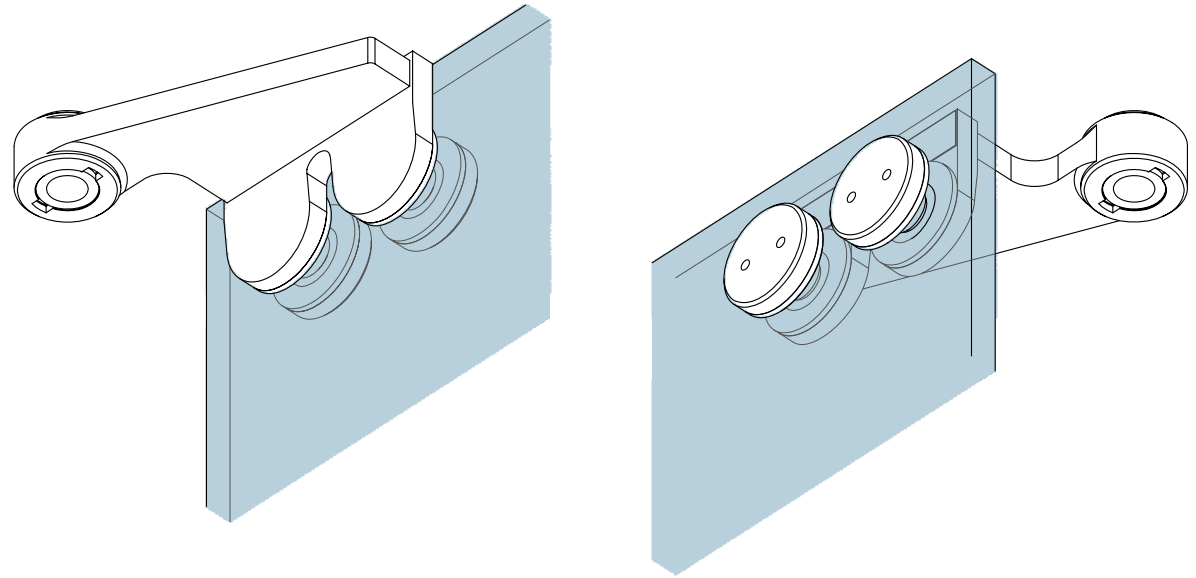
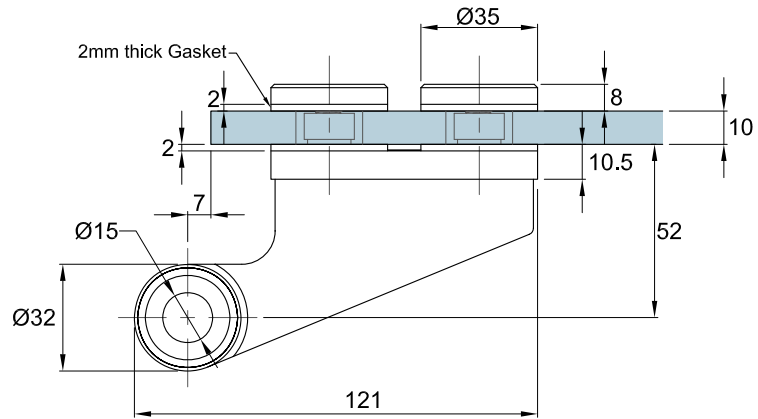


Date : 26-JULY-2014

Disclaimer:

This drawing shows the actual stage of product development at the date indicated. No claims or damages in any form can be made against Preference Pte. Ltd. as a result of the interpretation of this drawing. This drawing remains the property of Preference Pte. Ltd. and is made available to third parties only for the duration of contractual obligations. All rights connected with this drawing remain in possession of Preference Pte. Ltd. This drawing may not be copied or handed over to third parties without the express consent of Preference Pte. Ltd.

Glass Thickness	8 - 12 mm Glass Thickness
Material	SUS304
Material Finish	Satin Stainless Steel



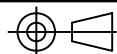
Glass Preparation



Preference Pte. Ltd.
www.preference.com.sg

Model: OS20-FHA Offset Pivot (NON-HANDED)

Art. No.

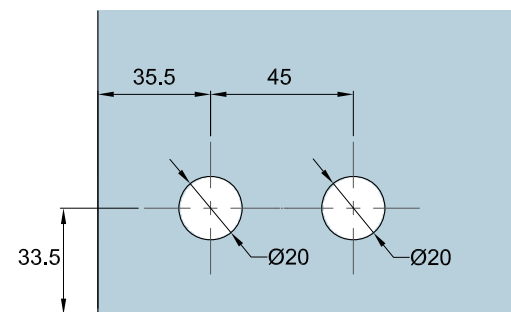
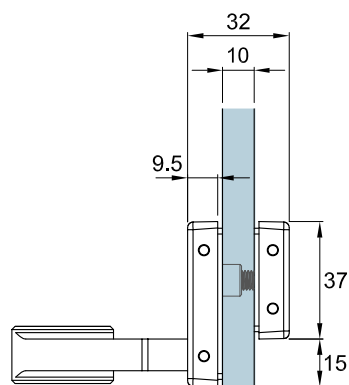
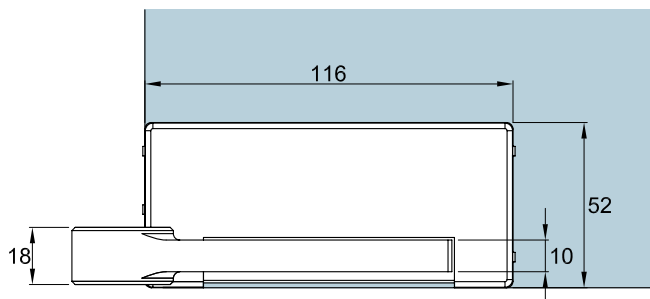
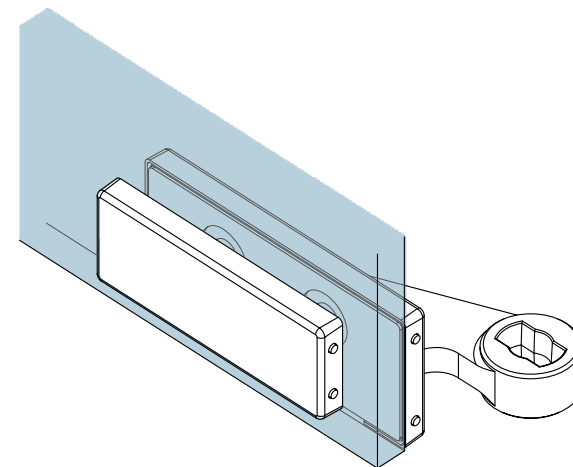
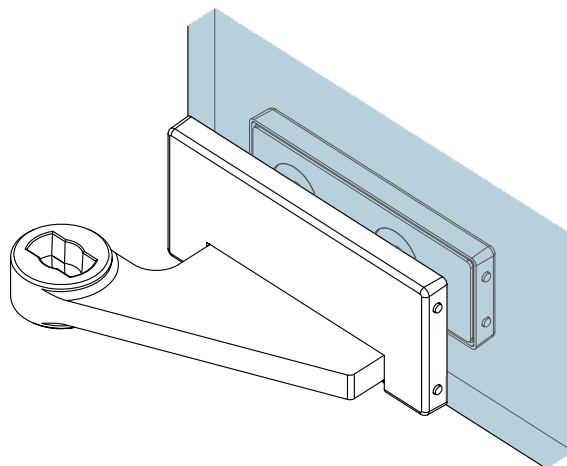
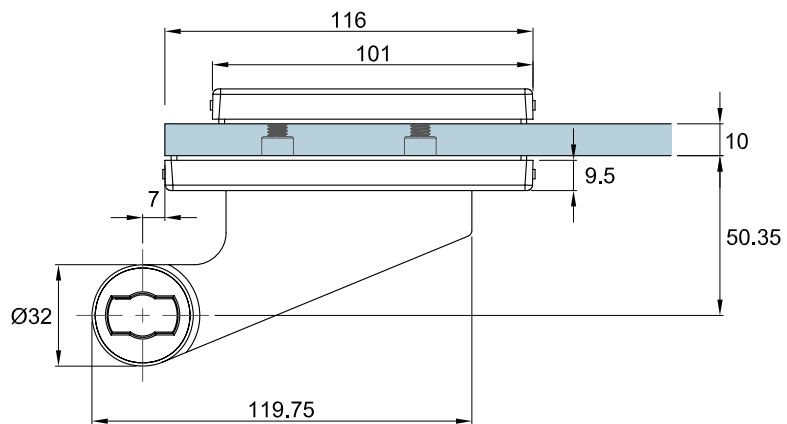


Date : 26-JULY-2014

Disclaimer:

This drawing shows the actual stage of product development at the date indicated. No claims or damages in any form can be made against Preference Pte. Ltd. as a result of the interpretation of this drawing. This drawing remains the property of Preference Pte. Ltd. and is made available to third parties only for the duration of contractual obligations. All rights connected with this drawing remain in possession of Preference Pte. Ltd. This drawing may not be copied or handed over to third parties without the express consent of Preference Pte. Ltd.

Glass Thickness	8 - 12 mm Glass Thickness
Material	SUS304
Material Finish	Satin Stainless Steel



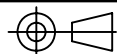
Glass Preparation



Preference Pte. Ltd.
www.preference.com.sg

Model: OS10-FR Offset Pivot (NON-HANDED)

Art. No.

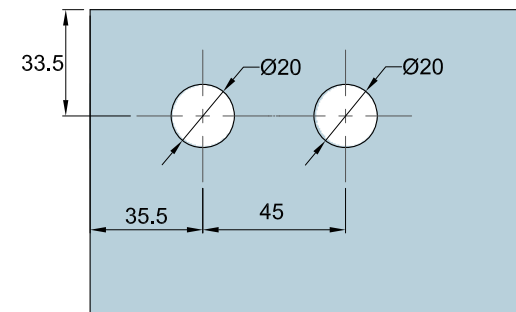
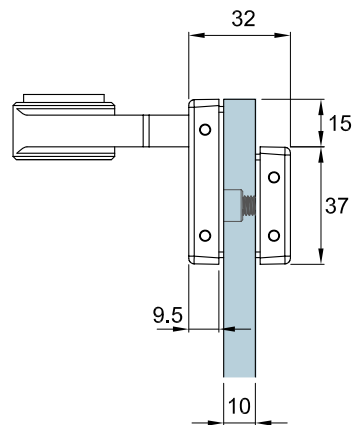
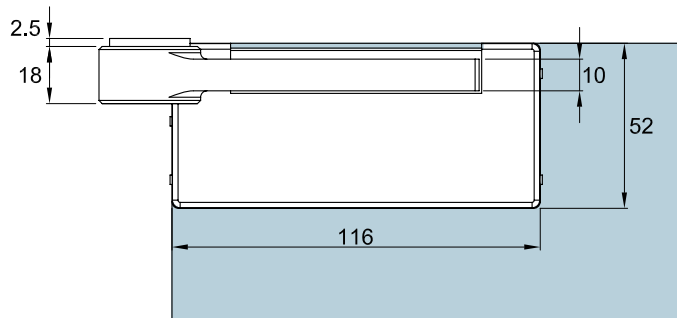
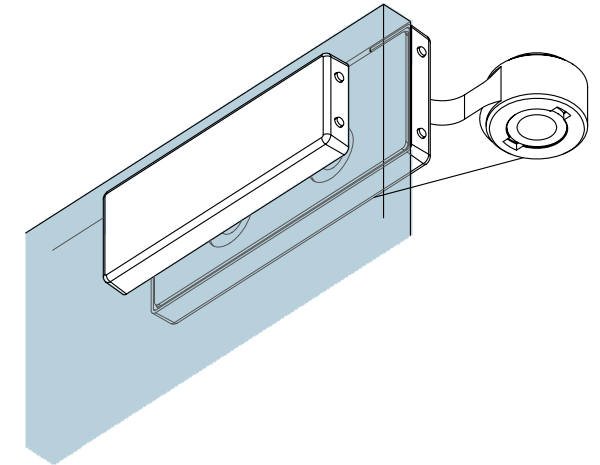
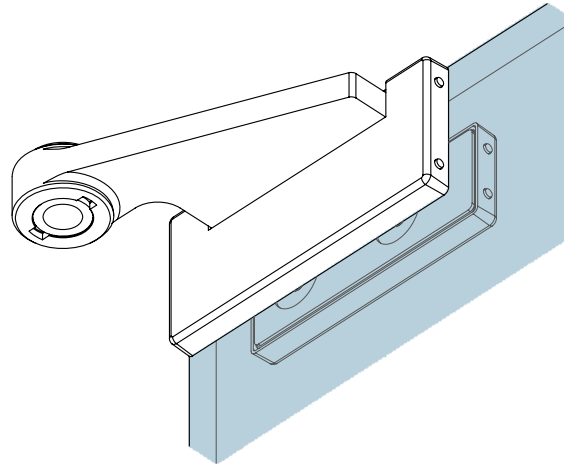
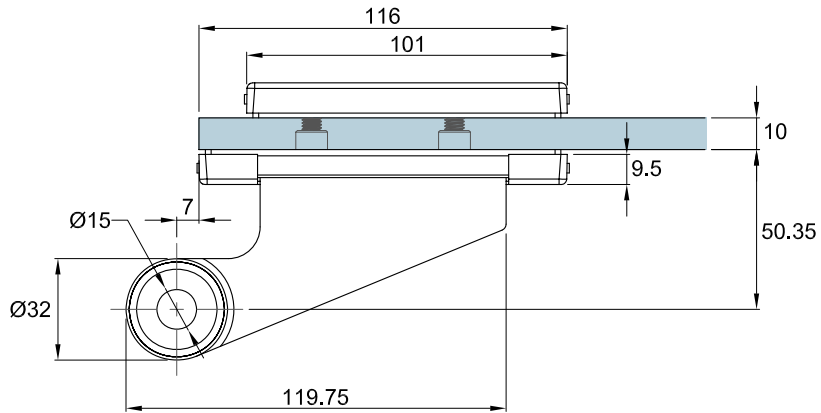


Date : 26-JULY-2014

Disclaimer:

This drawing shows the actual stage of product development at the date indicated. No claims or damages in any form can be made against Preference Pte. Ltd. as a result of the interpretation of this drawing. This drawing remains the property of Preference Pte. Ltd. and is made available to third parties only for the duration of contractual obligations. All rights connected with this drawing remain in possession of Preference Pte. Ltd. This drawing may not be copied or handed over to third parties without the express consent of Preference Pte. Ltd.

Glass Thickness	8 - 12 mm Glass Thickness
Material	SUS304
Material Finish	Satin Stainless Steel



Glass Preparation



Preference Pte. Ltd.
www.preference.com.sg

Model: OS20-FR Offset Pivot (NON-HANDED)

Art. No.

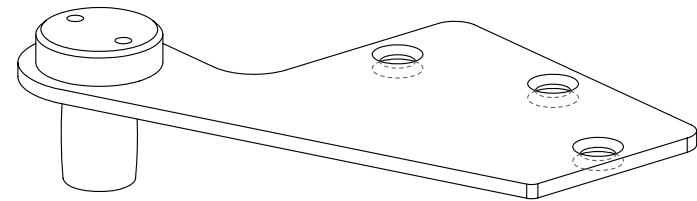
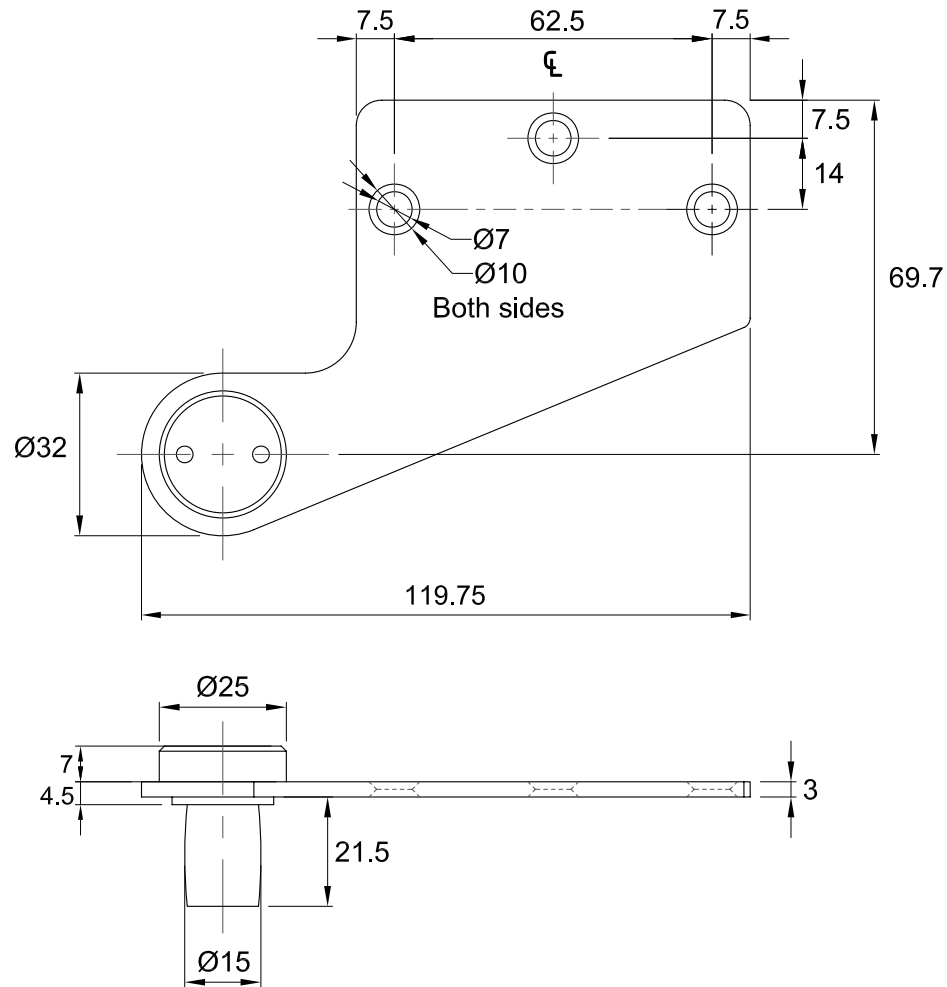


Date : 26-JULY-2014

Disclaimer:

This drawing shows the actual stage of product development at the date indicated. No claims or damages in any form can be made against Preference Pte. Ltd. as a result of the interpretation of this drawing. This drawing remains the property of Preference Pte. Ltd. and is made available to third parties only for the duration of contractual obligations. All rights connected with this drawing remain in possession of Preference Pte. Ltd. This drawing may not be copied or handed over to third parties without the express consent of Preference Pte. Ltd.

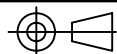
Material	SUS304
Material Finish	Satin Stainless Steel



Preference Pte. Ltd.
www.preference.com.sg

Model: OS24 Top Offset Pivot (NON-HANDED)

Art. No.

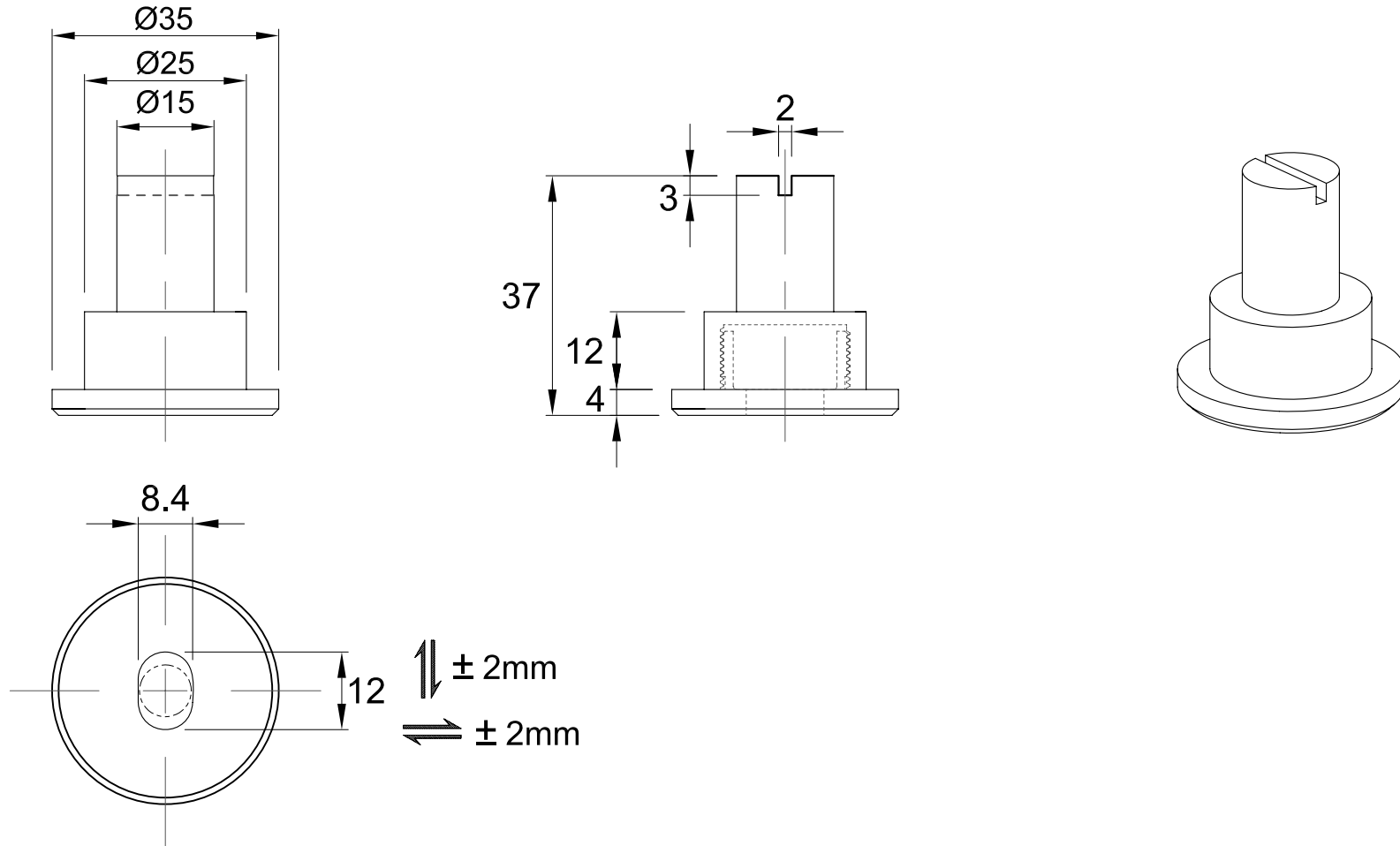


Date : 26-JULY-2014

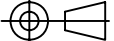
Disclaimer:

This drawing shows the actual stage of product development at the date indicated. No claims or damages in any form can be made against Preference Pte. Ltd. as a result of the interpretation of this drawing. This drawing remains the property of Preference Pte. Ltd. and is made available to third parties only for the duration of contractual obligations. All rights connected with this drawing remain in possession of Preference Pte. Ltd. This drawing may not be copied or handed over to third parties without the express consent of Preference Pte. Ltd.

Material	SUS304
Material Finish	Satin Stainless Steel



Preference
The Preferred Name in Entrance Systems
 Preference Pte. Ltd.
www.preference.com.sg

Model: OS15P Floor Pivot
Art. No.

Date : 26-JULY-2014

Disclaimer:
 This drawing shows the actual stage of product development at the date indicated. No claims or damages in any form can be made against Preference Pte. Ltd. as a result of the interpretation of this drawing. This drawing remains the property of Preference Pte. Ltd. and is made available to third parties only for the duration of contractual obligations. All rights connected with this drawing remain in possession of Preference Pte. Ltd. This drawing may not be copied or handed over to third parties without the express consent of Preference Pte. Ltd.