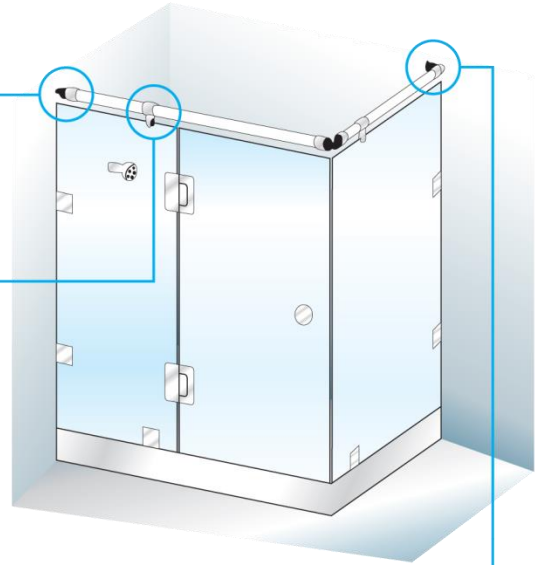
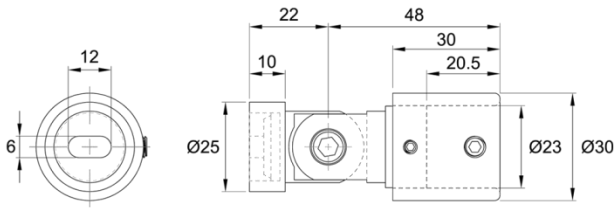




**CB**  
**SERIES**

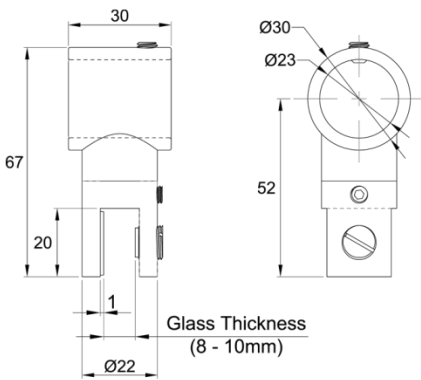
**CB05ADJ**

ADJUSTABLE WALL CONNECTOR



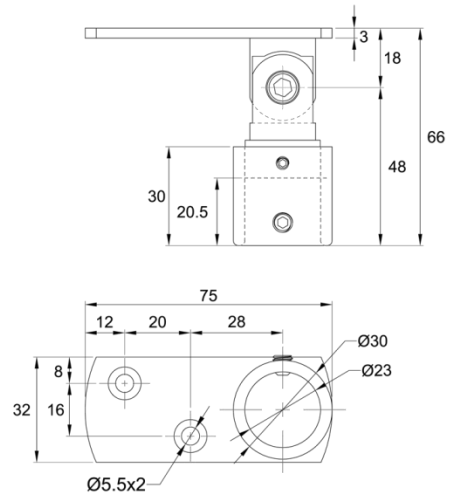
**CB03AA**

INTERMEDIATE CONNECTOR



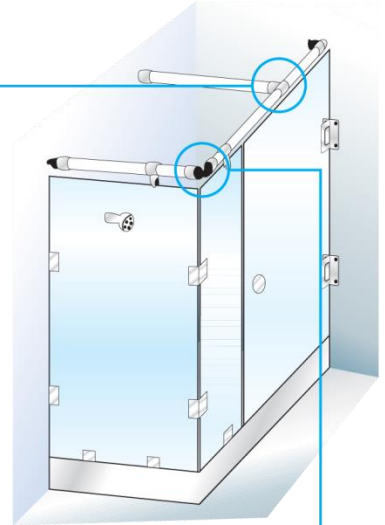
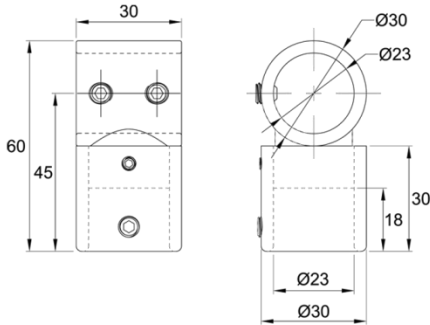
**CB04ADJ**

OFFSET ADJUSTABLE CONNECTOR



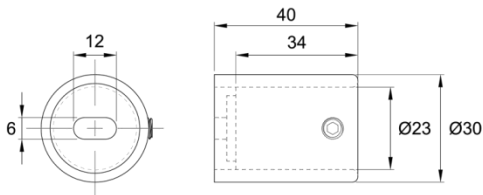
**CBO3T**

**T-JUNCTION CONNECTOR**



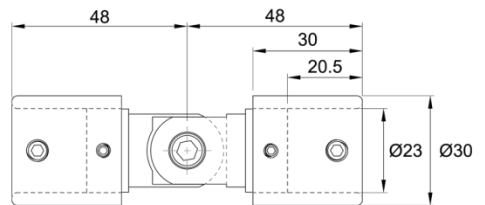
**CBO4**

**FIXED WALL CONNECTOR**



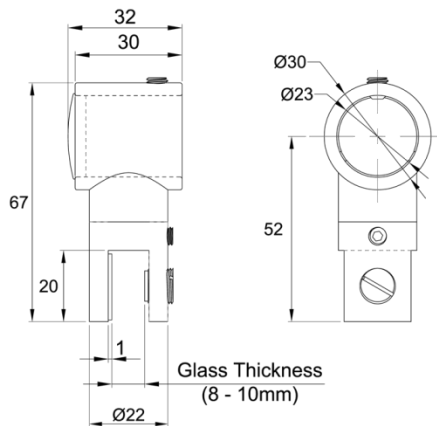
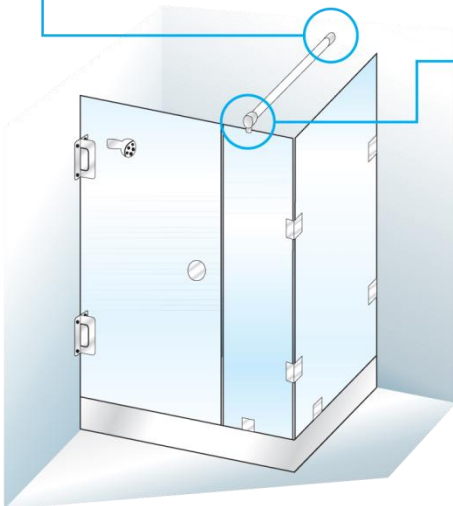
**CBO1ADJ**

**ADJUSTABLE ANGULAR CONNECTOR**



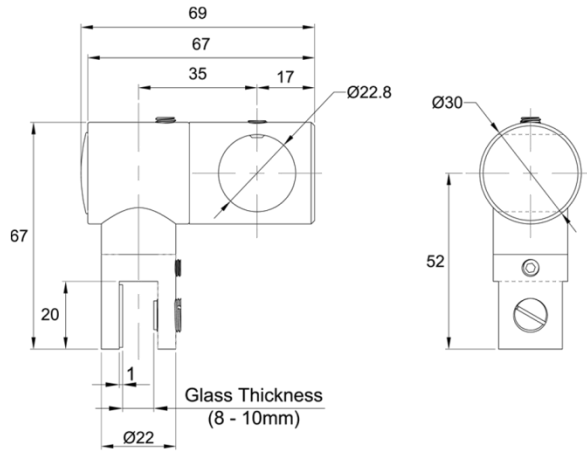
**CBO3BA**

**END CONNECTOR**



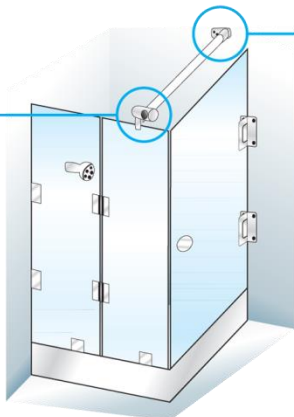
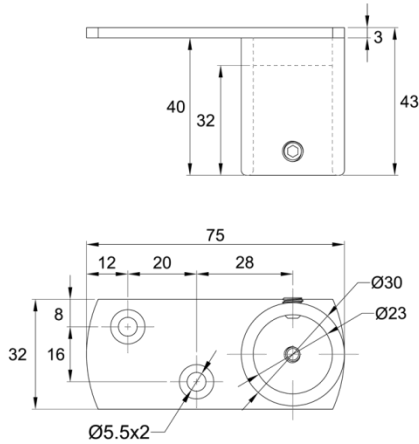
**CBO2ADJ**

PARALLEL END CONNECTOR



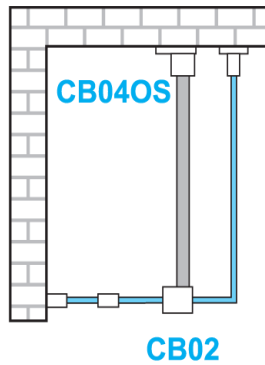
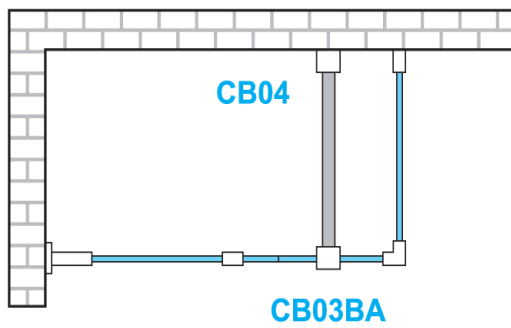
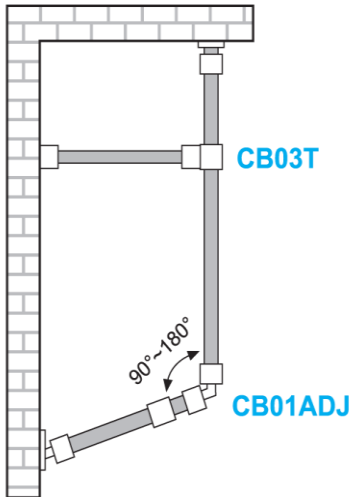
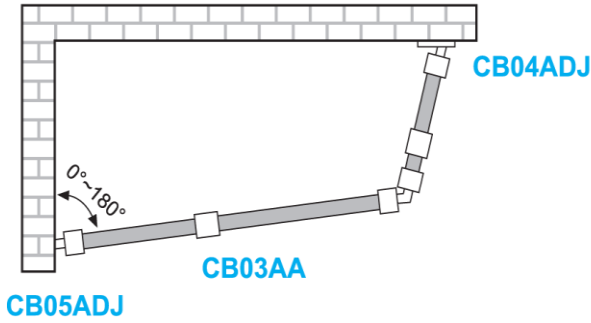
**CBO4OS**

OFFSET FIXED WALL CONNECTOR



# TYPICAL LAYOUT

TOP VIEW ILLUSTRATION







## APPLICATIONS

- Suitable for connecting 22mm diameter stabilizing bar to hold frameless glass panel.
- Available in 9 different options:
  - ▶ CB01ADJ (Adjustable angular connector)
  - ▶ CB02ADJ (Parallel end connector)
  - ▶ CB03AA (Intermediate connector)
  - ▶ CB03BA (End connector)
  - ▶ CB03T (T-junction connector)
  - ▶ CB04 (Fixed wall connector)
  - ▶ CB04OS (Offset fixed wall connector)
  - ▶ CB04ADJ (Offset adjustable connector)
  - ▶ CB05ADJ (Adjustable wall connector)

## FINISHES

- Polished chrome plated
- Satin chrome plated

## MATERIAL

- SUS304

## STABILISER BAR

- ▶ Ø22 x 1200mm Stainless steel bar
- ▶ Ø22 x 2000mm Stainless steel bar
- ▶ Ø22 x 3000mm Stainless steel bar

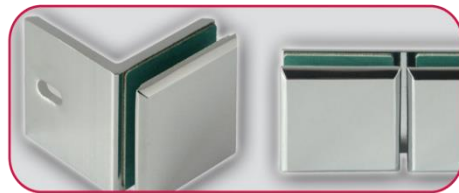
*Due to the company's policy of continuous product development and enhancement, the specifications and details contained in this brochure are subject to alteration without prior notice.*

*The dimensions, details, specifications and statements made herein or by our representatives arising out of any enquiries are given for information purposes only. They are not intended to have any legal effect and the company will not be bound thereby. The company will only accept obligations which are expressly negotiated for, and agreed and incorporated into written agreements made specifically with its respective customers.*

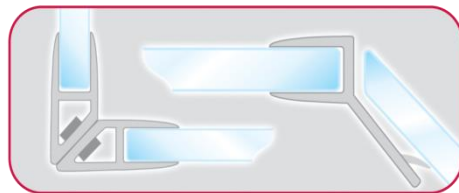
## RELATED PRODUCTS



**Shower Hinges - Emery Series**



**Shower Connectors - Deane Series**



**Vinyl Clip Seals - Gerda Series**