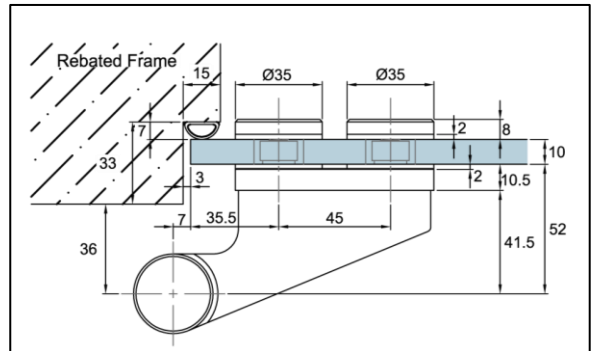
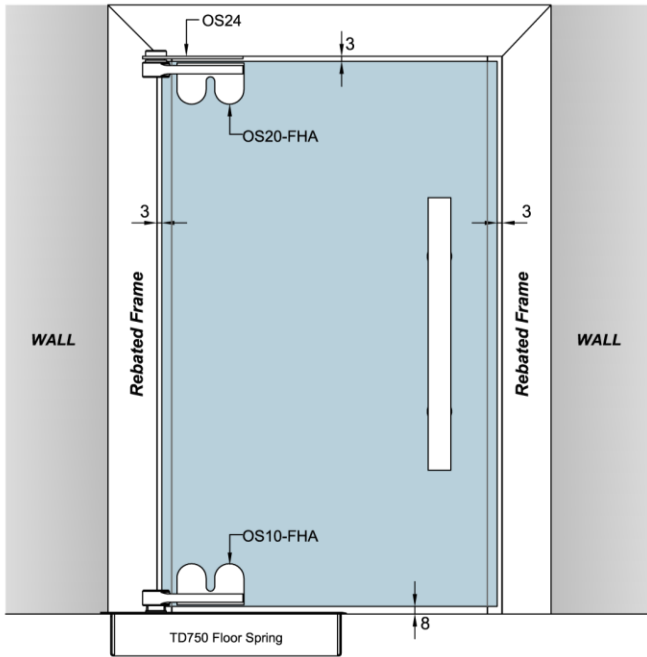
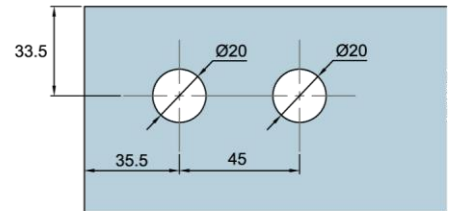
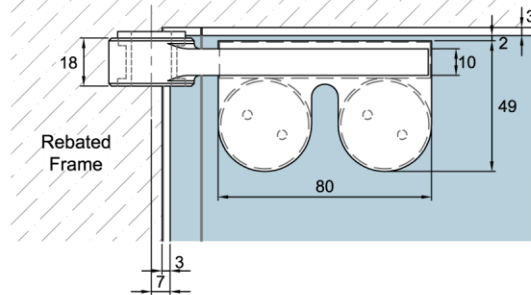


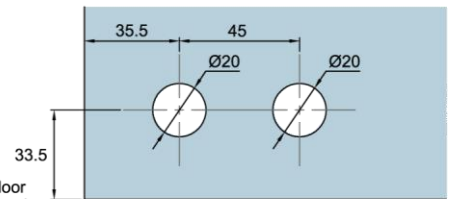
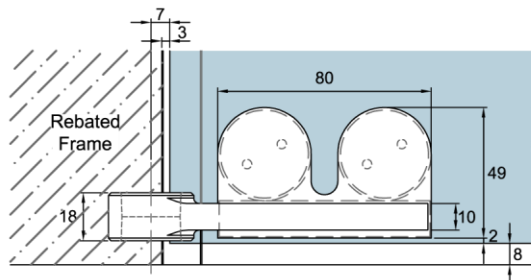
Rebated Frame Application:



**OS20-FHA Top offset pivot**

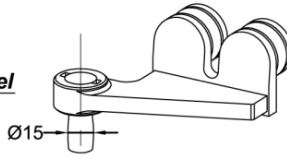


**OS10-FHA Bottom offset pivot**



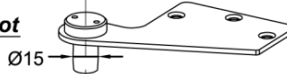
# **P&M<sup>®</sup>** DOS Offset Pivot Fittings for Single Action Door

**OS30-FHA Offset Pivot Overpanel**

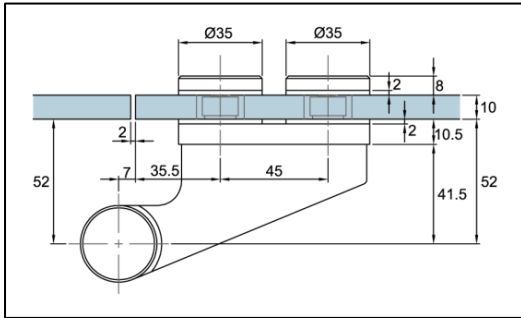
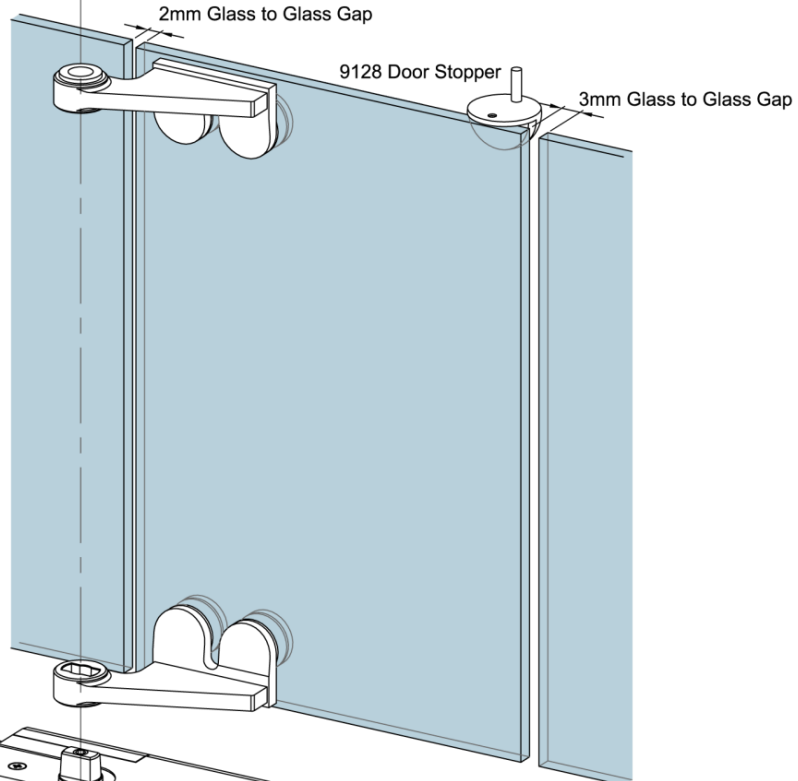


OR

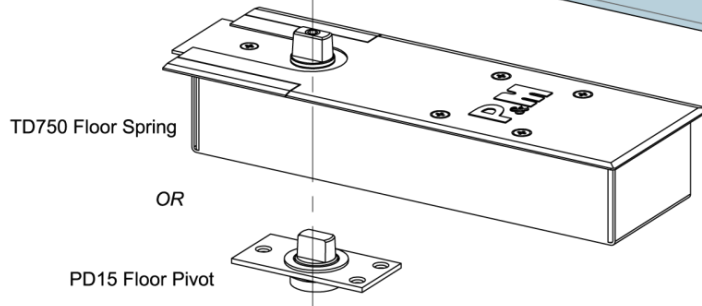
**OS24 Top Offset Pivot**



**OS20-FHA Top Offset Pivot**



**OS10-FHA Bottom Offset Pivot**



**Preference**  
Preference Pte Ltd

No.2 Kallang Pudding Road #01-02 Mactech Building Singapore 349307

Tel: (65) 6746 5185 Fax: (65) 6746 8749 Email: [enquiry@preference.com.sg](mailto:enquiry@preference.com.sg) Website: [www.preference.com.sg](http://www.preference.com.sg)