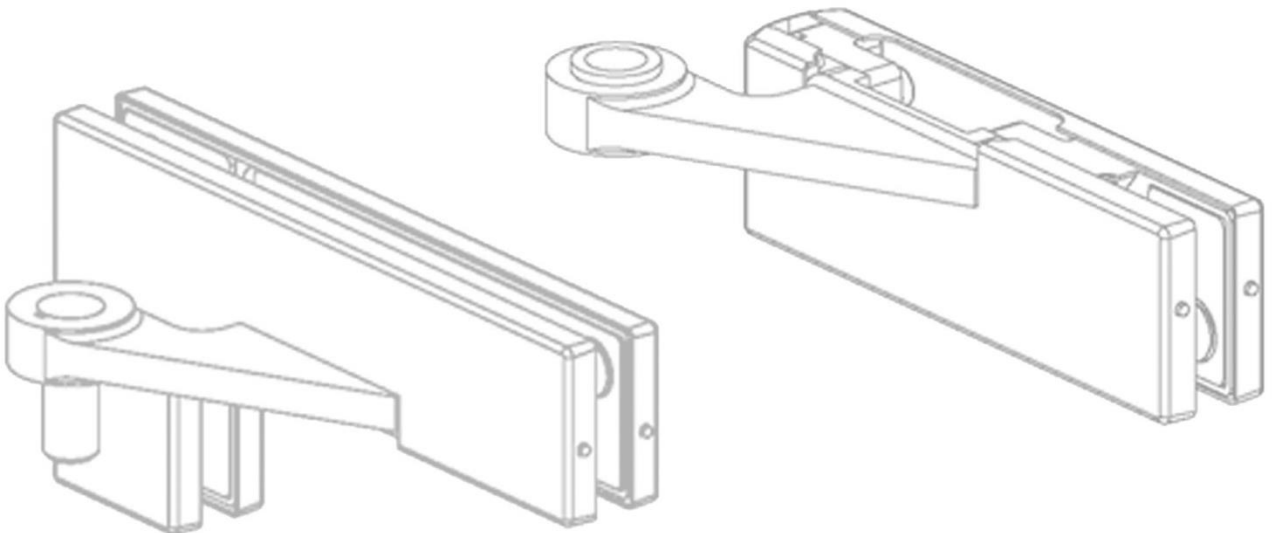
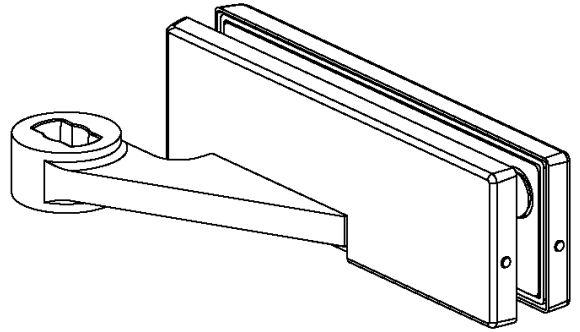
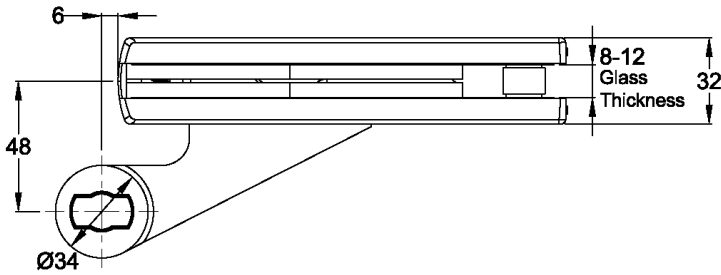


Patch Fittings (Offset)

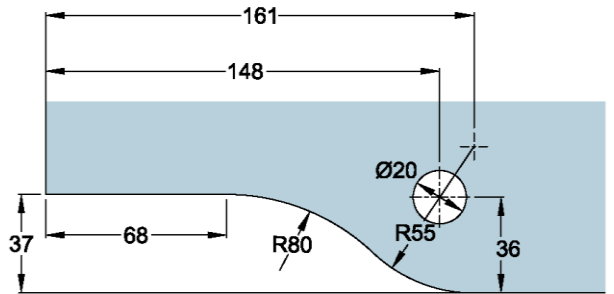


PD10-OSLH

Bottom Patch (Left Hand) with Bottom Offset Arm(OB48-1)

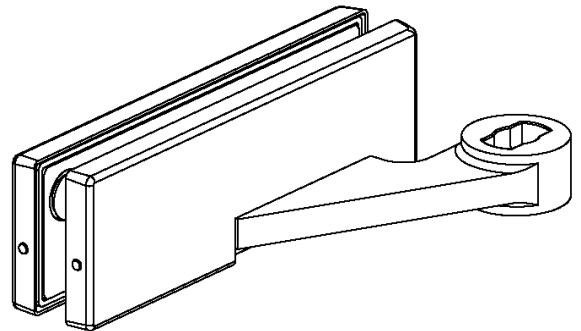
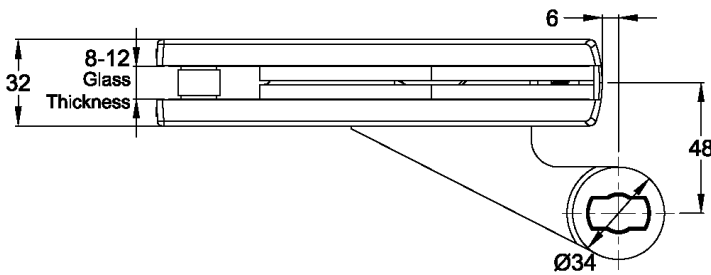


GLASS NOTCH

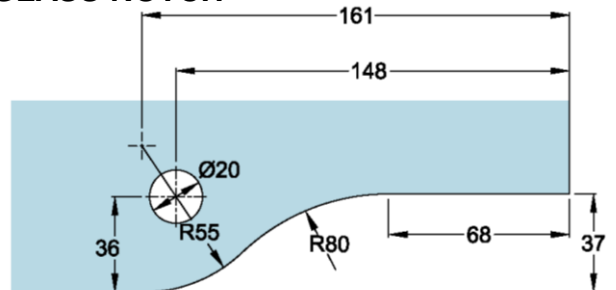


PD10-OSRH

Bottom Patch Right Hand with Bottom Offset Arm(OB48-1)

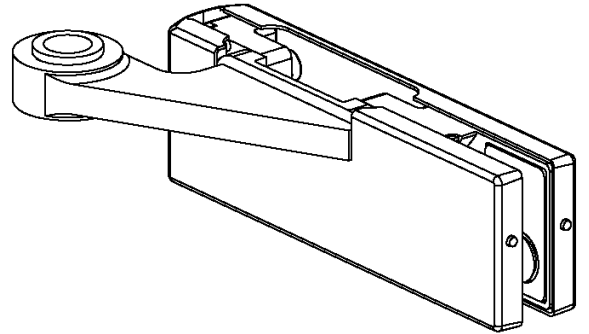
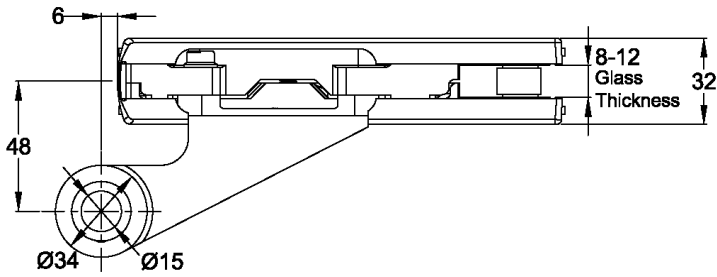


GLASS NOTCH

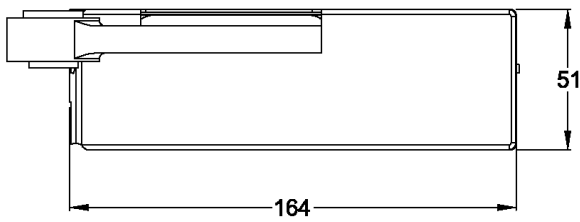
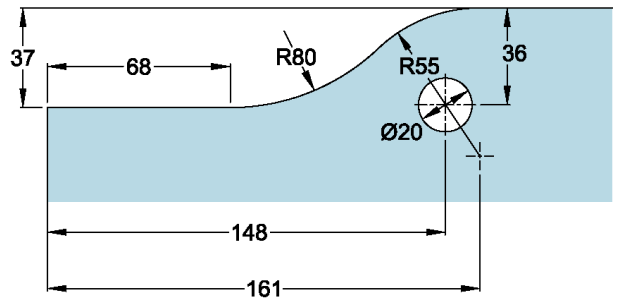


PD20-OSLH

Top Patch Left Hand with Top Offset Arm(OB48-2)

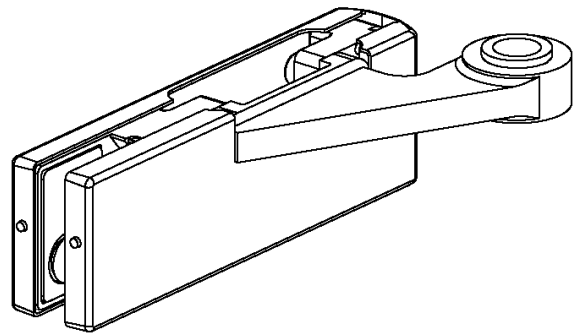
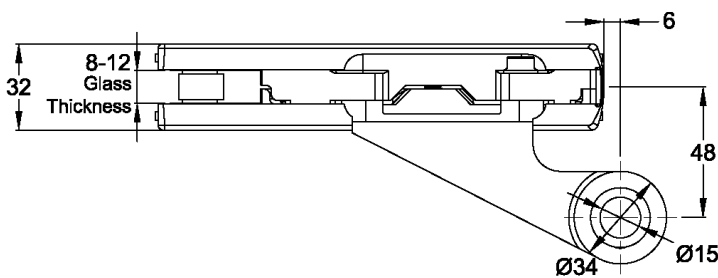


GLASS NOTCH

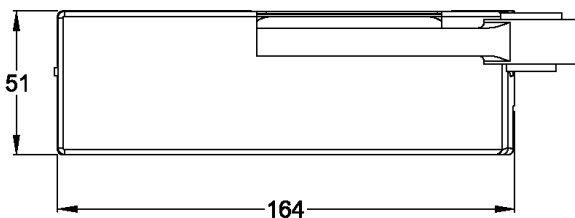
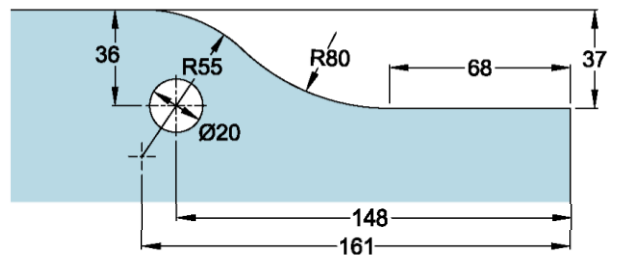


PD20-OSRH

Top Patch Right Hand with Top Offset Arm(OB48-2)

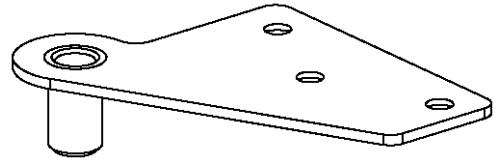
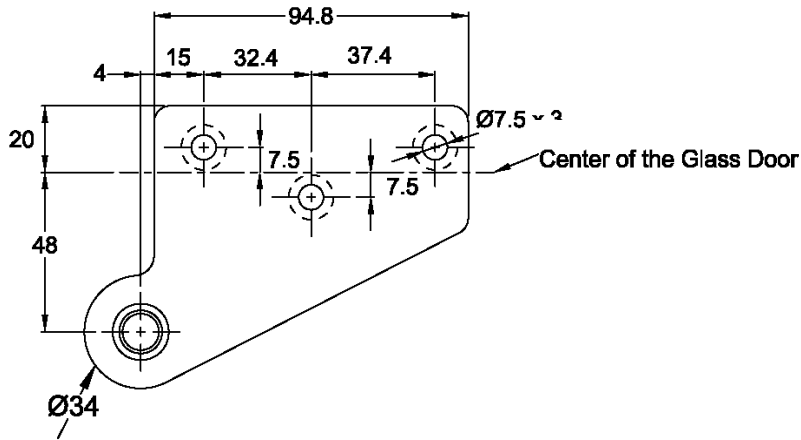


GLASS NOTCH



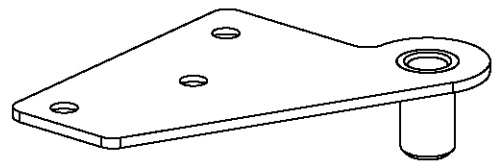
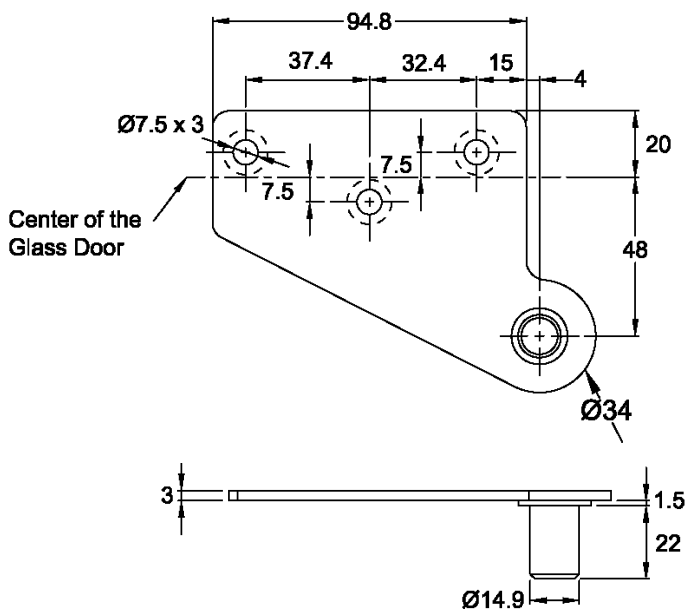
PD24-OSLH

Top Pivot Offset Left Hand



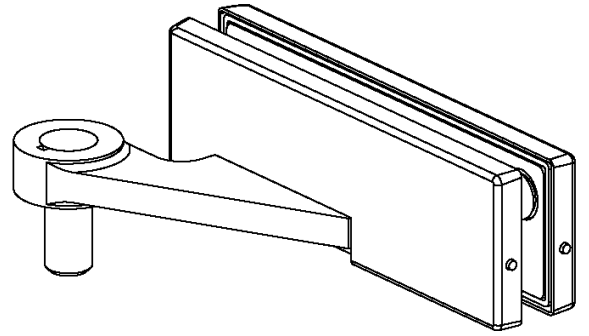
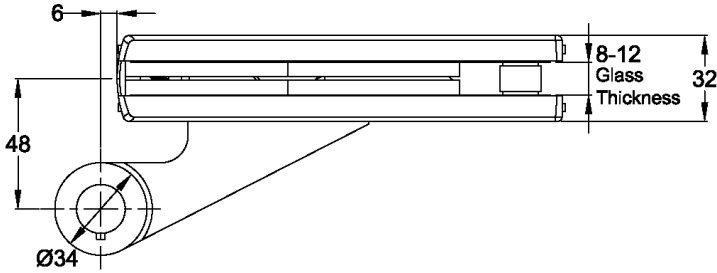
PD24-OSRH

Top Pivot Offset Right Hand

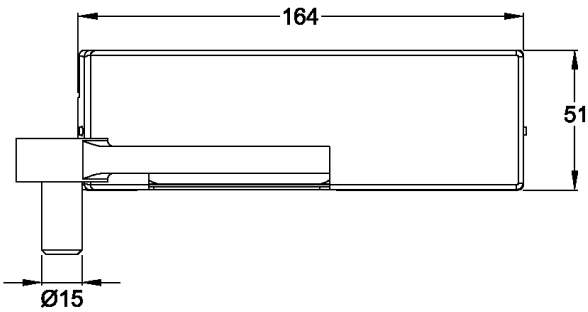
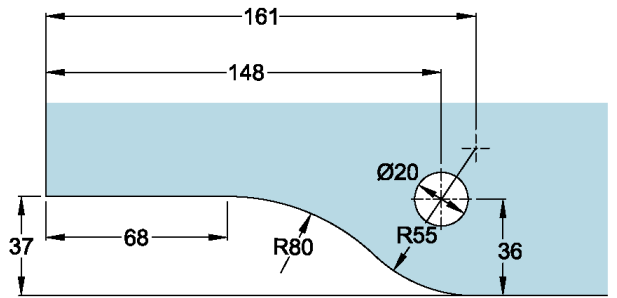


PD30-OSLH

Overpanel Patch Left Hand with Offset Arm(OB48-3)

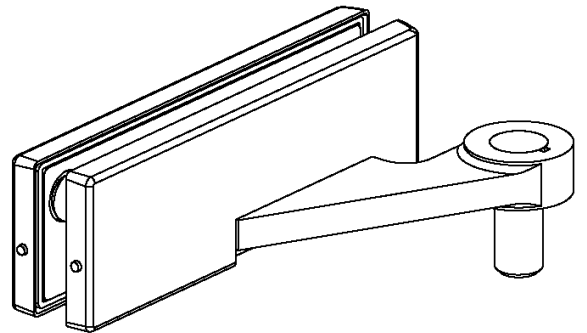
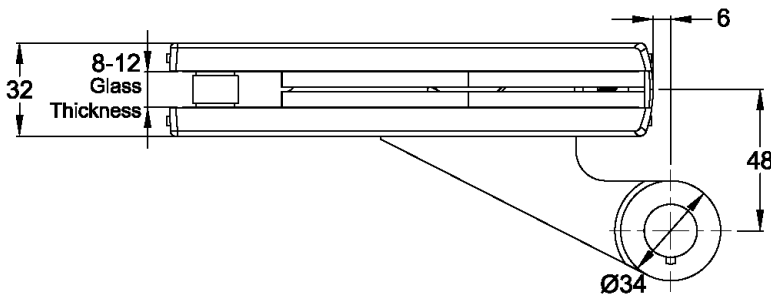


GLASS NOTCH

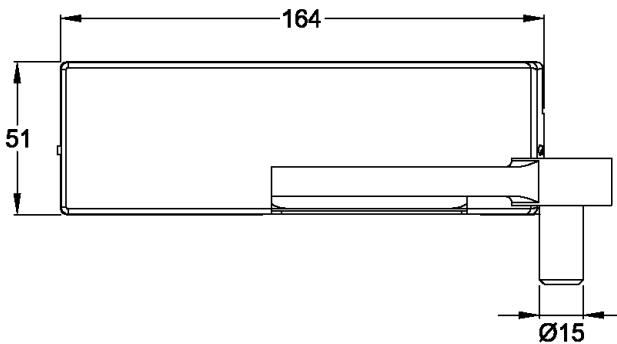
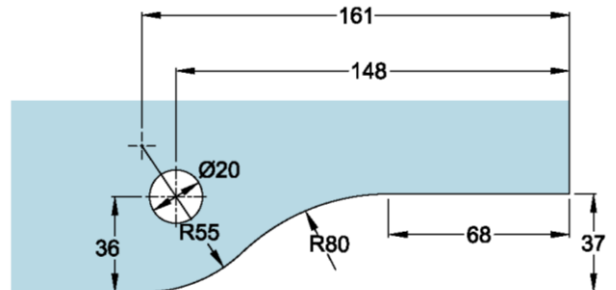


PD30-OSRH

Overpanel Patch Right Hand with Offset Arm(OB48-3)

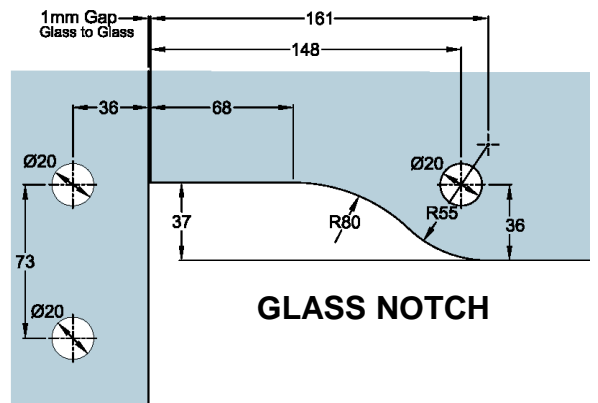
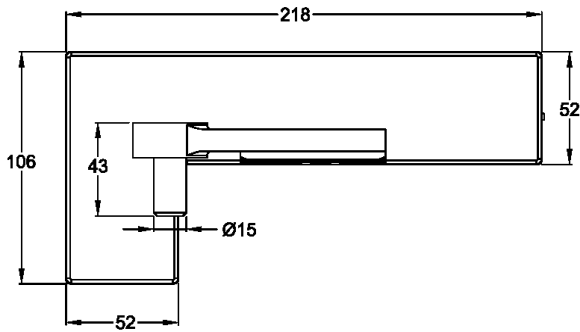
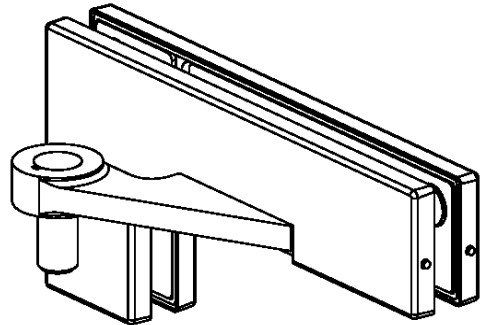
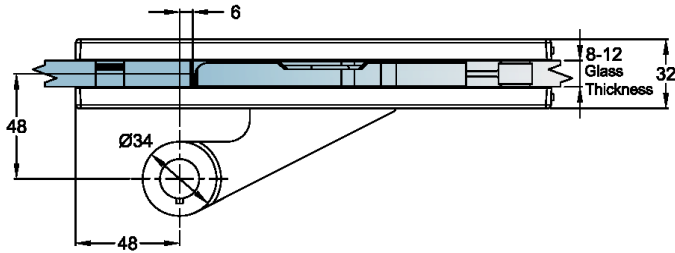


GLASS NOTCH



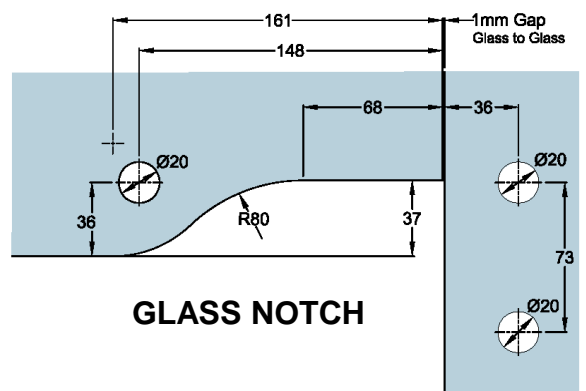
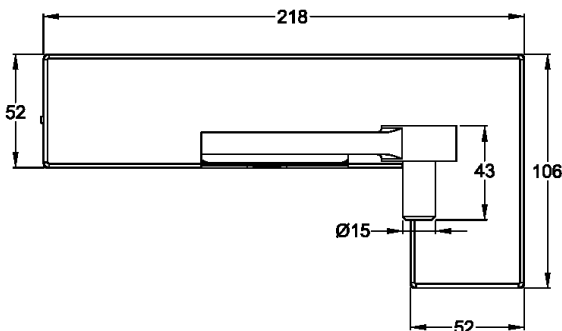
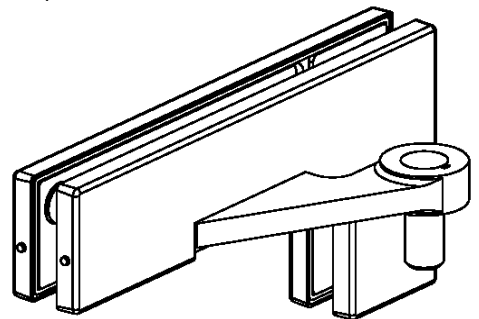
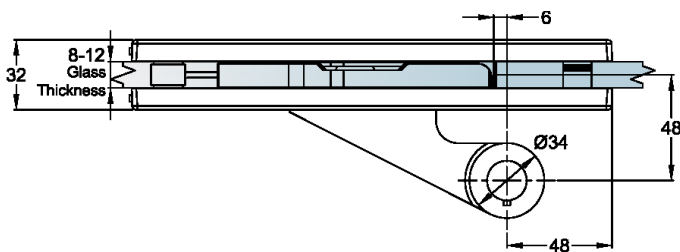
PD40-OSLH

Overpanel & Side Panel Top Patch Left Hand with Offset Arm(OB48-3)

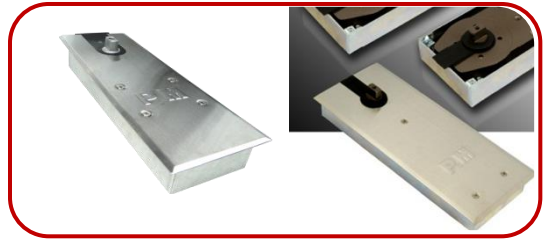


PD40-OSRH

Overpanel & Side Panel Top Patch Right Hand with Offset Arm(OB48-3)



Related Products



Door Closer – Floor Spring



Door Handles – Melosa Series



Patch Fittings – Merlin & Prima Series

Due to the company's policy of continuous product development and enhancement, the specifications and details contained in this brochure are subject to alteration without prior notice.

The dimensions, details, specifications and statements made herein or by our representatives arising out of any enquiries are given for information purposes only. They are not intended to have any legal effect and the company will not be bound thereby. The company will only accept obligations which are expressly negotiated for, and agreed and incorporated into written agreements made specifically with its respective customers.