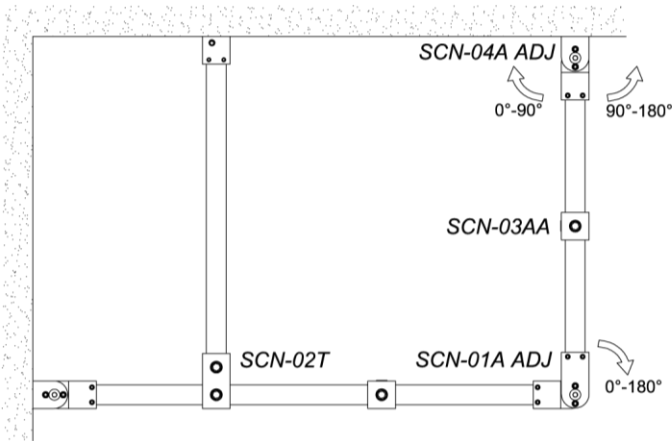
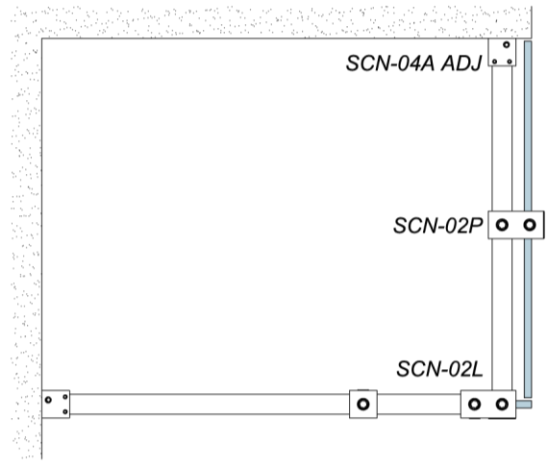


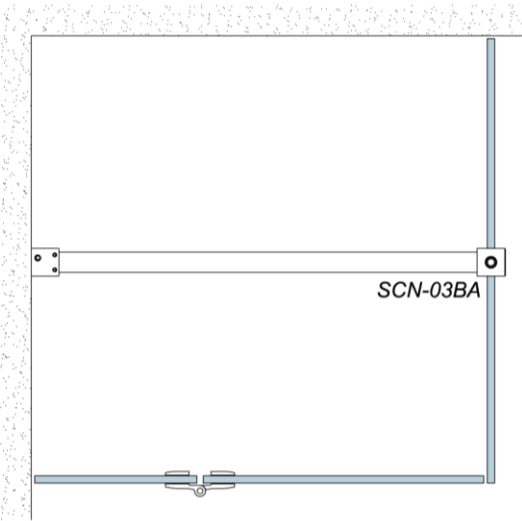
LAYOUT 1



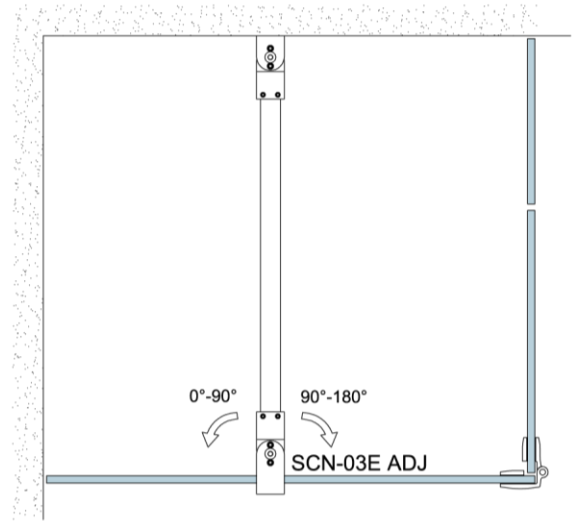
LAYOUT 2



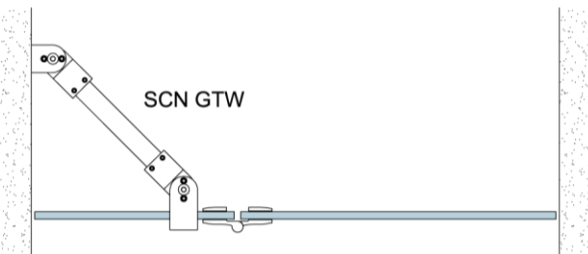
LAYOUT 3



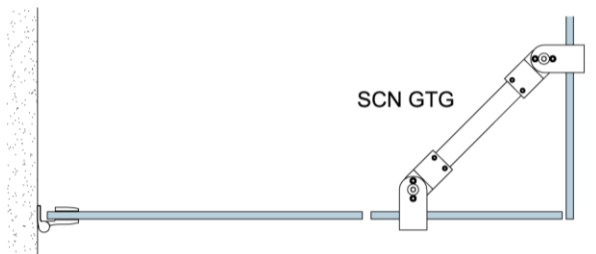
LAYOUT 4



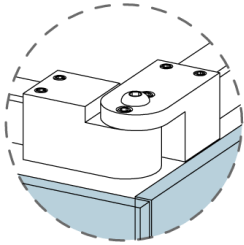
LAYOUT 5



LAYOUT 6

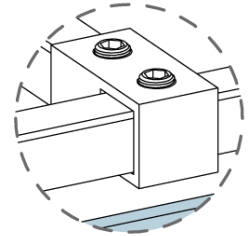
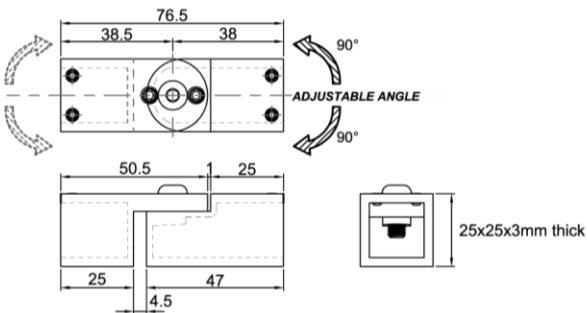


Layout 1



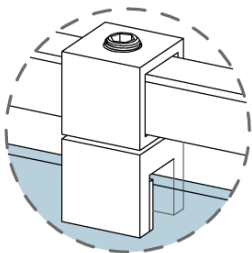
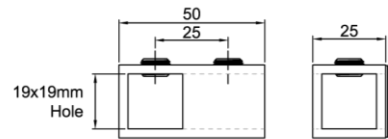
SCN-01A ADJ

Adjustable Angular Connector



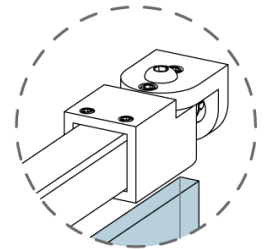
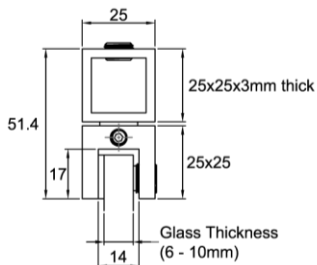
SCN-02T

T-Junction Connector



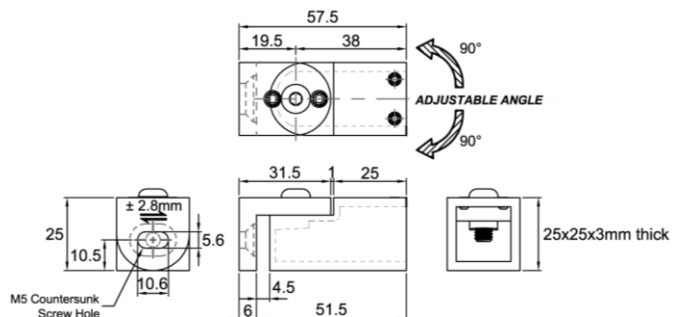
SCN-03AA

Intermediate Connector

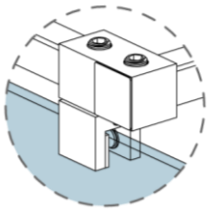


SCN-04A ADJ

Adjustable Wall Connector

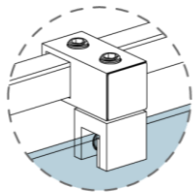
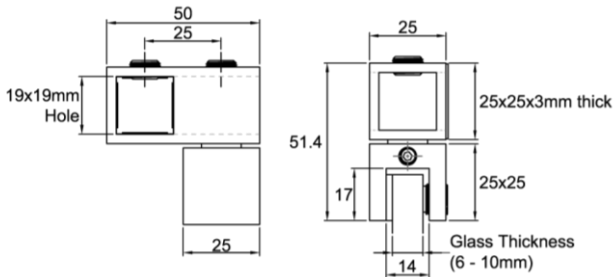


Layout 2



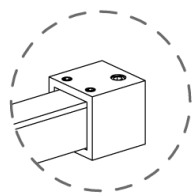
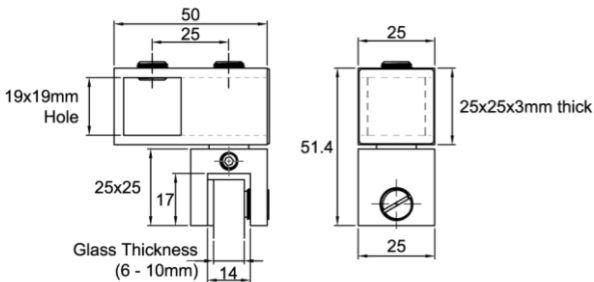
SCN-02L

90° Connector



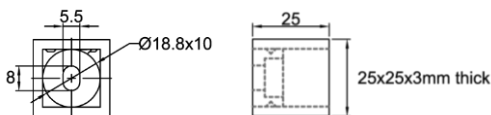
SCN-02P

Parallel Connector

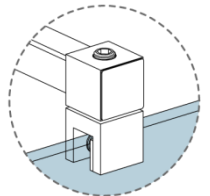


SCN-04

Fixed Wall Connector

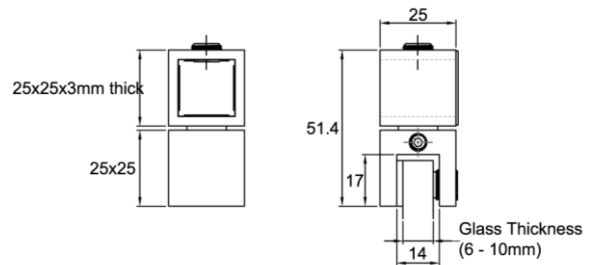


Layout 3

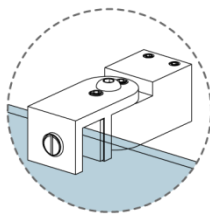


SCN-03BA

End Connector

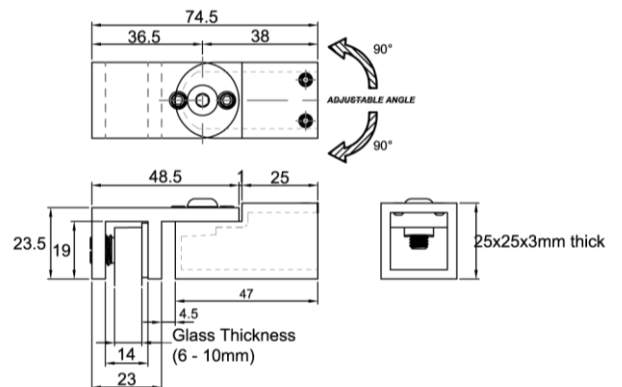


Layout 4



SCN-03E ADJ

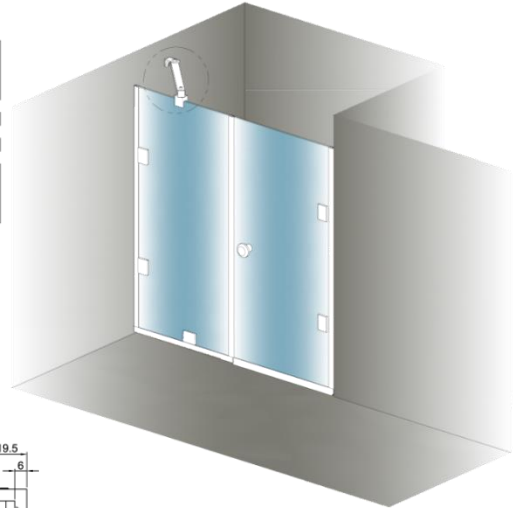
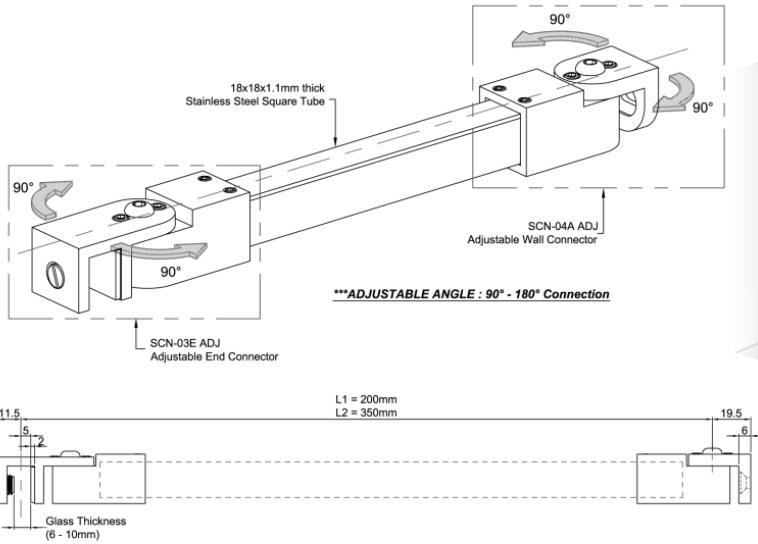
Adjustable End Connector



Layout 5

SCN GTW

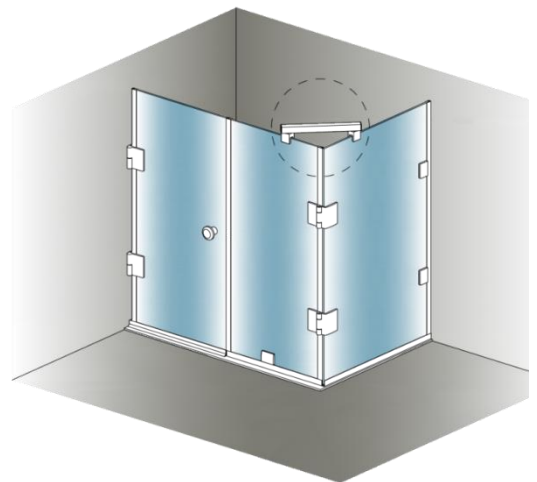
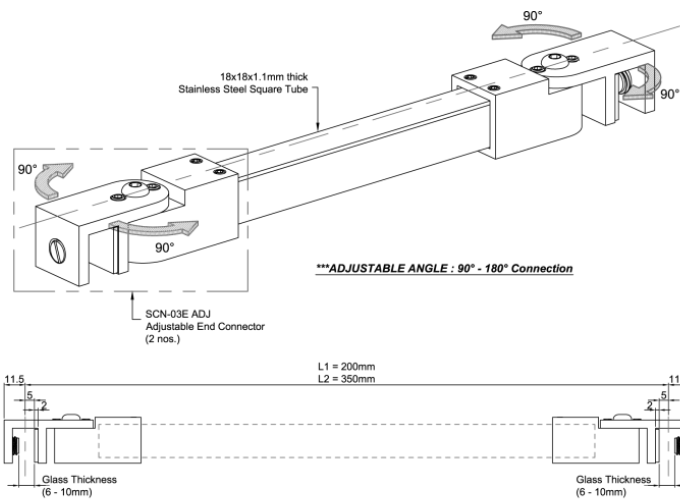
Glass to Wall Connector



Layout 6

SCN GTG

Glass to Glass Connector



APPLICATIONS

- Suitable for connecting 18mm x 18mm Square Tube (Stabilizing Bar) to hold frameless glass panel.
- Available in 9 different options:
 - ▶ SCN-01A ADJ Adjustable Angular Connector
 - ▶ SCN-02L 90deg Corner Connector
 - ▶ SCN-02P Parallel Connector
 - ▶ SCN-02T T-junction Connector
 - ▶ SCN-03AA Intermediate Connector
 - ▶ SCN-03BA End Connector
 - ▶ SCN-03E ADJ Adjustable End Connector
 - ▶ SCN-04 Fixed Wall Connector
 - ▶ SCN-04A ADJ Adjustable Wall Connector

MATERIAL

- SUS304

FINISHES

- Polished Stainless Steel
- Satin Stainless Steel

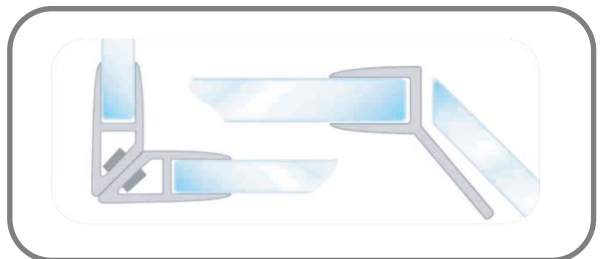
Stabilizer Bar

- 18mm x 18mm x 1.1mm thick Stainless Steel Square Tube SUS304 (3000 mm Length)

RELATED PRODUCTS



Shower Hinges - BRIANNA



Vinyl Clip Seals - GERDA



Door Knobs - CERISE

Due to the company's policy of continuous product development and enhancement, the specifications and details contained in this brochure are subject to alteration without prior notice.

The dimensions, details, specifications and statements made herein or by our representatives arising out of any enquiries are given for information purposes only. They are not intended to have any legal effect and the company will not be bound thereby. The company will only accept obligations which are expressly negotiated for, and agreed and incorporated into written agreements made specifically with its respective customers.