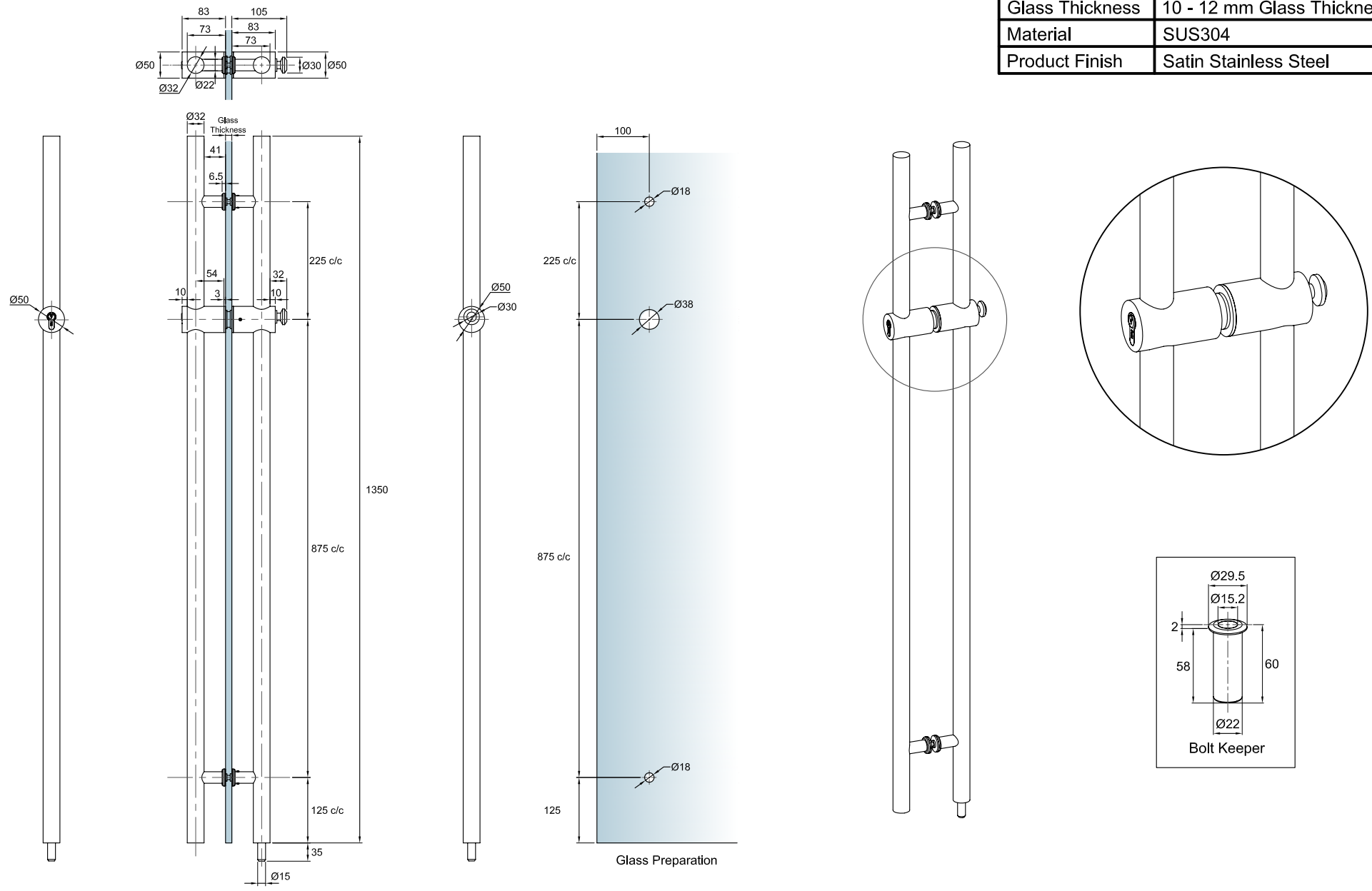


Glass Thickness	10 - 12 mm Glass Thickness
Material	SUS304
Product Finish	Satin Stainless Steel



Preference
The Preferred Name in Entrance Systems

Preference Pte. Ltd.
www.preference.com.sg

Model: HLK16 Door Handle with Key Lock

Art. No.

Date : 24-OCT-2014

Disclaimer:
This drawing shows the actual stage of product development at the date indicated. No claims or damages in any form can be made against Preference Pte. Ltd. as a result of the interpretation of this drawing. This drawing remains the property of Preference Pte. Ltd. and is made available to third parties only for the duration of contractual obligations. All rights connected with this drawing remain in possession of Preference Pte. Ltd. This drawing may not be copied or handed over to third parties without the express consent of Preference Pte. Ltd.