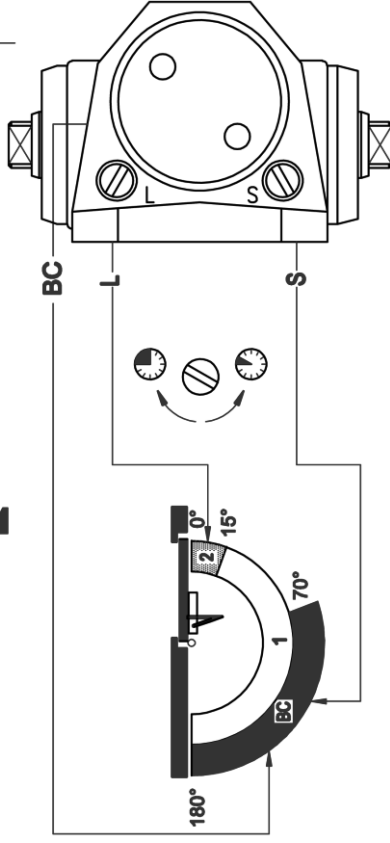
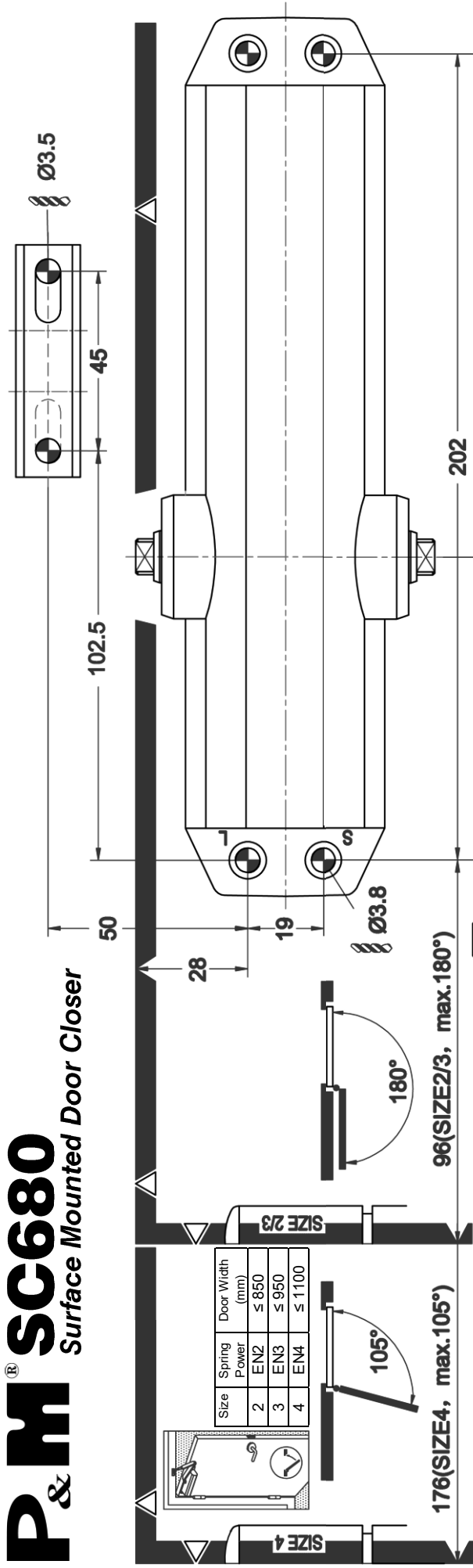


# P&M<sup>®</sup> SC680

## Surface Mounted Door Closer



**1**

- Select door closer size and degree of opening.
- Use template to mark holes for closer body and arm pivot bracket

**2**

- Place arm pivot bracket assembly into position and mount closer body to the marked holes.

**3**

- Adjust forearm length perpendicular (at a 90° angle) to the door face.

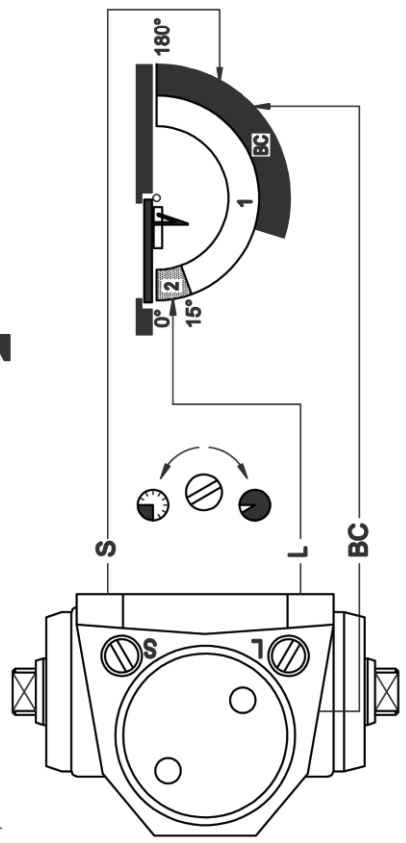
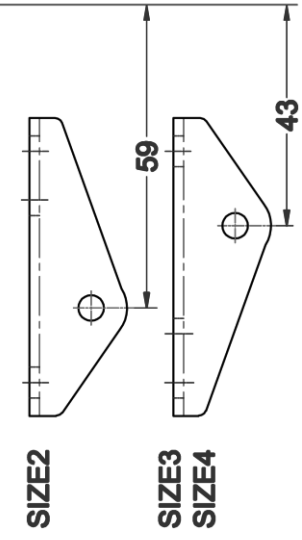
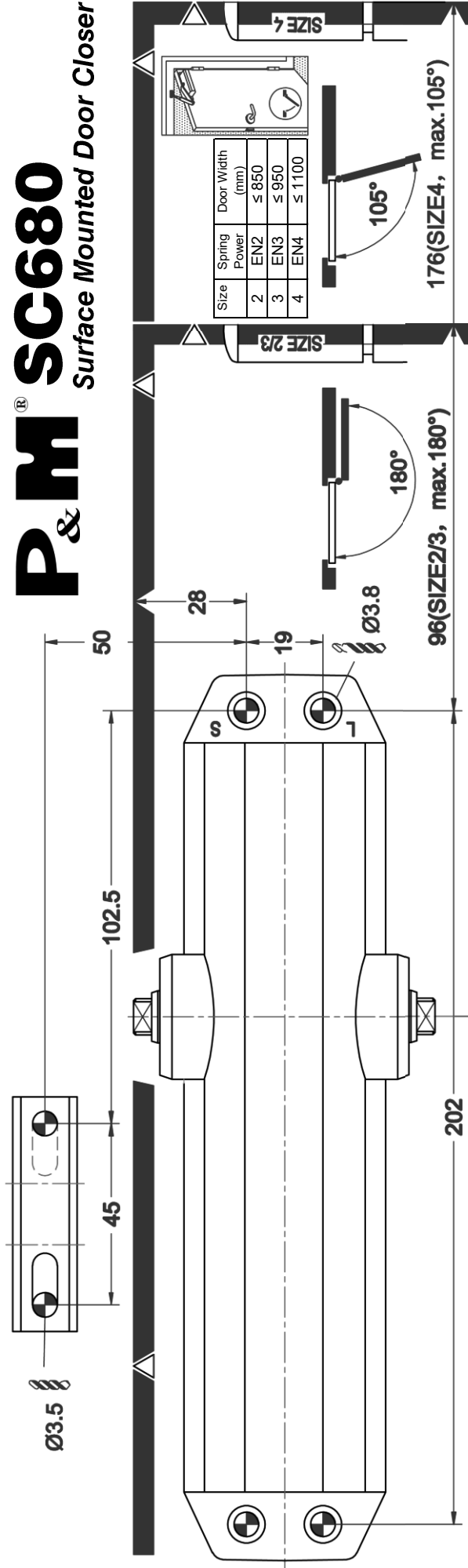
**4**

- Adjust closing and latching to preferred speed
- NO.1 – CLOSING SPEED
- NO.2 – LATCHING SPEED (apply latching action only if necessary)

**FAST** **SLOW**

# P & M<sup>®</sup> SC680

## Surface Mounted Door Closer



**1**

- Select door closer size and degree of opening.
- Use template to mark holes for closer body and arm pivot bracket

**2**

- Place arm pivot bracket assembly into position and mount closer body to the marked holes.

**3**

- Adjust forearm length perpendicular (at a 90° angle) to the door face.

**4**

- Adjust closing and latching to preferred speed
- NO.1 – CLOSING SPEED
- NO.2 – LATCHING SPEED (apply latching action only if necessary)