



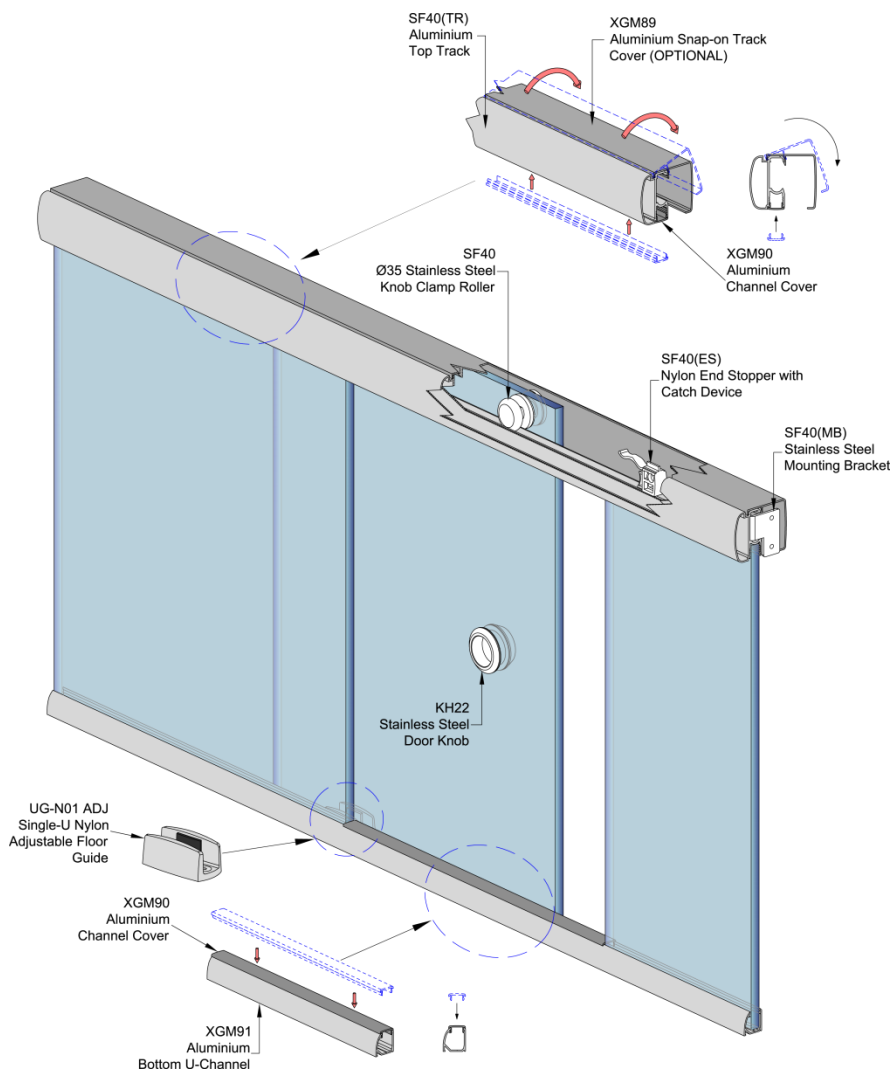
SF40

Sliding Shower Screen

**WALL TO WALL SYSTEM
AND CORNER ENTRY SYSTEM**

Sliding Shower Screen

- Smooth and clean look shower screen
- Available in Straight Wall to Wall and Corner Entry System
- SF40 Sliding Shower Screen keeps bathroom area dry. Designed with functional and quality components, this system is easy to clean and maintain.
- Innovative Components:
 - Aluminium Top Track Profile and Knob Clamp Roller designed for smooth and easy sliding.
 - Snap on Track Cover option completes aesthetic and smooth look of front and rear surface of the track.
 - Channel Cover piece encloses unwanted open channel.
 - Combination of bottom channel and channel cover forms integrated cill. This integrated cill is an option to use as an alternative for kerb.



- Combination of bottom channel and channel cover forms integrated cill.

S40 Sliding Shower Screen

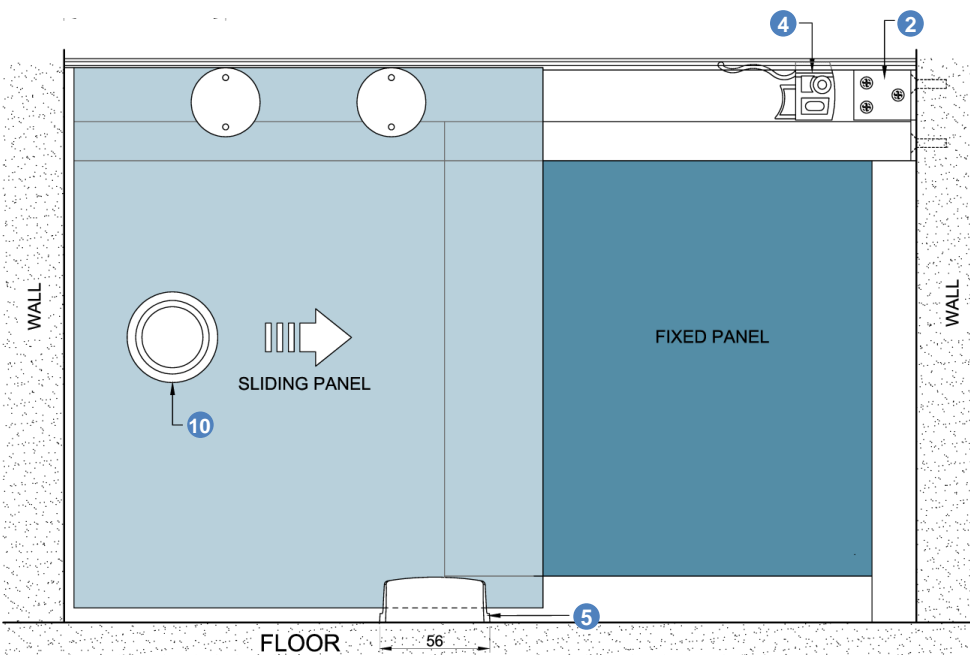
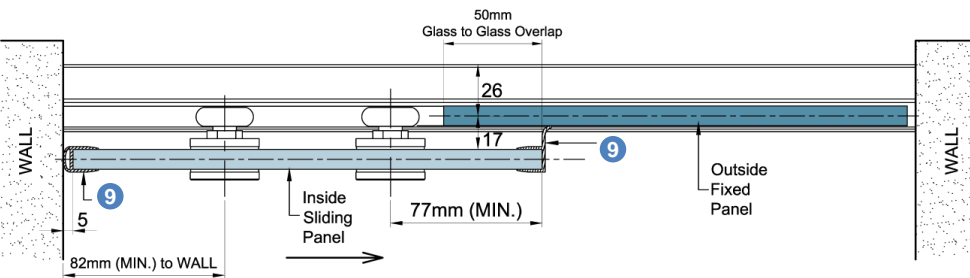
Wall to Wall System

Components

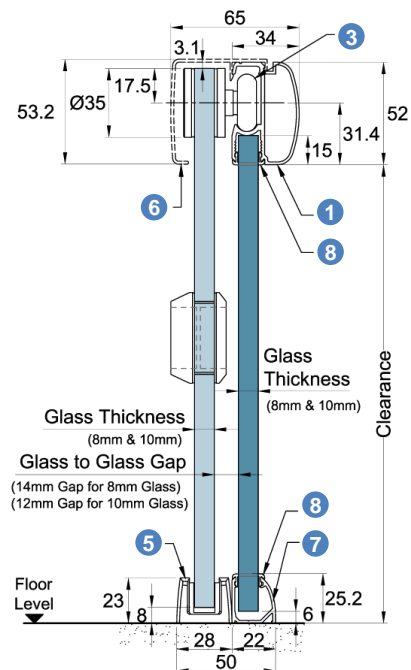
- 1 SF40(TR) Aluminium top track (1no x 1.5m length)
- 2 SF40 (MB) Stainless steel mounting bracket (1 set)
(1set comprising of 1pc Left Hand & 1pc Right Hand)
- 3 SF40 (CR) Ø35 Knob clamp stainless Steel with Ø29mm roller (2nos)
- 4 SF40(ES) Nylon end stopper with catch device (2nos)
- 5 UG-N01 ADJ Nylon Single-U adjustable floor guide (1no)

Optional components:

- 6 XGM89 Snap-on aluminium track cover
- 7 XGM91 Aluminium bottom channel
- 8 XGM90 Aluminium channel cover
- 9 Vinyl Clip seal
- 10 KH22 Round recess door knob



* View from the Inside



SF40 Sliding Shower Screen Corner Entry System



Components

- 1 SF40(TR) Aluminium top track (2 nos x 1m length)
- 2 SF40 (CJ) Track corner joint (1no)
- 3 SF40 (MB) Stainless steel mounting bracket (1set)
(1set comprising of 1pc Left Hand & 1pc Right Hand)
- 4 SF40 (CR) Ø35 Knob clamp stainless steel with Ø29mm roller (4nos)
- 5 SF40 (ES) Nylon end stopper with catch device (4nos)
- 6 UG-N01 ADJ Nylon single-U floor guide (2nos)

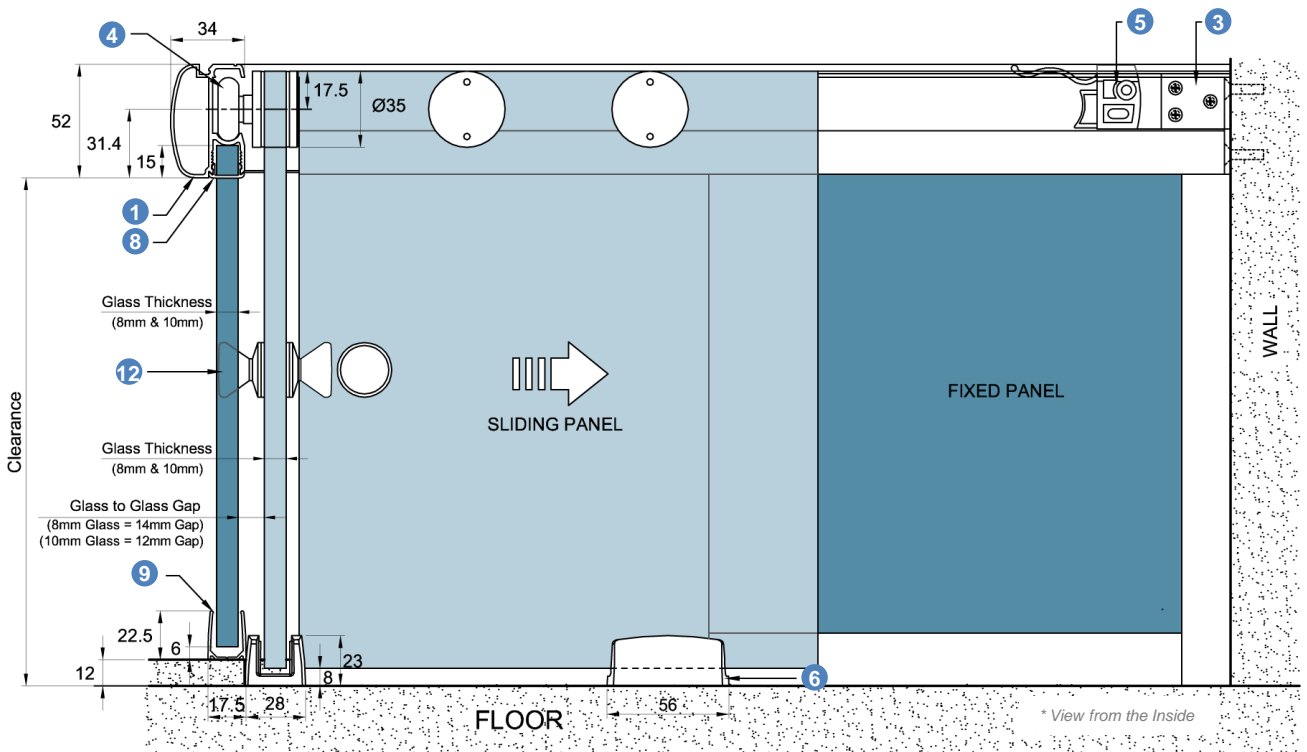
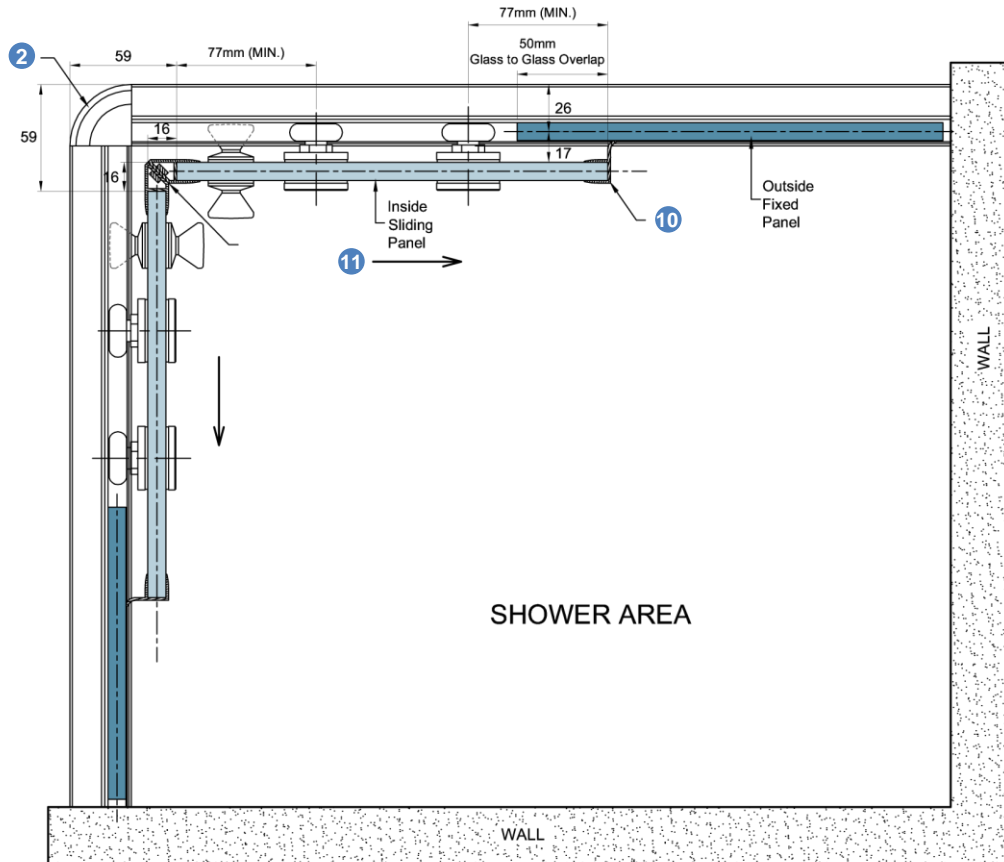
Optional components:

- 7 XGM89 Snap-on aluminium track cover
- 8 XGM90 Aluminium channel cover
- 9 UC-175225 Aluminium U-Channel
- 10 SD Vinyl clip seal
- 11 PMF Magnetic profile vinyl clip seal
- 12 KH27 Door knob

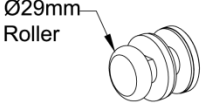

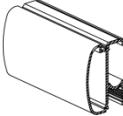
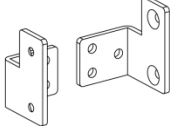
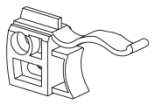
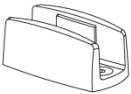

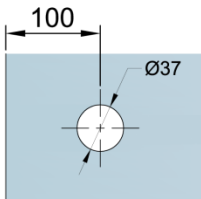
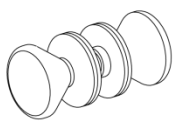
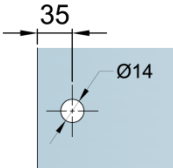



SF40 Sliding Shower Screen

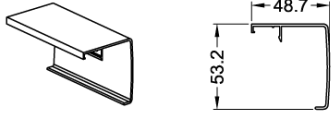
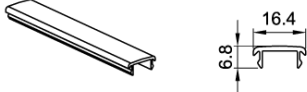

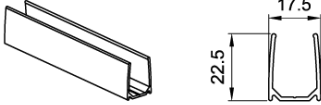
Corner Entry System



SF40 Components & Accessories

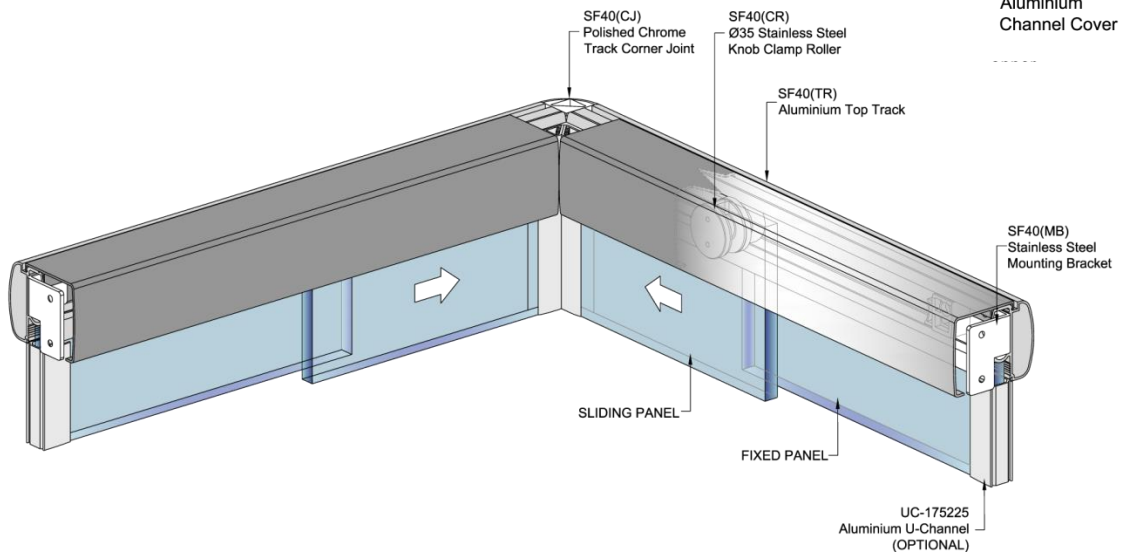
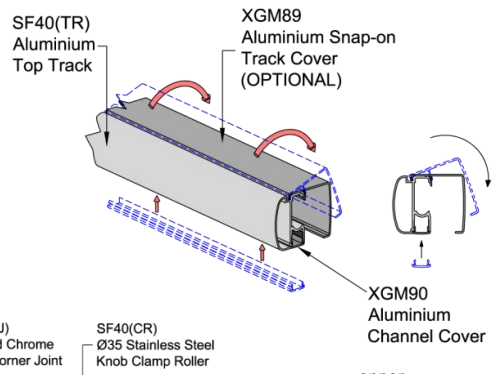
Components		Wall to Wall System	Corner Entry System
 <p>Ø29mm Roller</p>	<p>SF40 (CR) Ø35 Stainless steel knob clamp roller Suitable for 8 to 10mm glass thickness Polished or Satin stainless steel finish</p>	 <p>77mm (MIN.) Glass Preparation</p>	<p>2 pcs.</p> <p>4 pcs.</p>
	<p>SF40 (TR) Aluminium Top Track Bright anodised or Satin aluminium finish</p>	<p>1.5 meters Length</p>	<p>1 meter - 2 Length</p>
	<p>SF40 (MB) Stainless steel mounting bracket Polished or Satin stainless steel finish</p>	<p>1 Set (1 LH and 1RH)</p>	<p>1 Set (1 LH and 1RH)</p>
	<p>SF40 (ES) Nylon end stopper with catch device</p>	<p>2 pcs.</p>	<p>4 pcs.</p>
	<p>UG-N01 ADJ Single-U Nylon floor guide Suitable for 8, 10 or 12mm glass thickness</p>	<p>1 pc.</p>	<p>2 pcs.</p>
	<p>KH22 Ø46 Round recess door knob Suitable for 8 to 12mm glass thickness Polished or Satin stainless steel finish</p>	 <p>100 Ø37 Glass Preparation</p>	<p>1 pc.</p> <p>2 pcs.</p>
	<p>KH27 Ø25 Door knob Suitable for 8 to 12mm glass thickness Polished or Satin stainless steel finish</p>	 <p>35 Ø14 Glass Preparation</p>	<p>1 pc.</p> <p>2 pcs.</p>
	<p>SF40 (CJ) Track corner joint Polished or Satin finish</p>	<p>N.A.</p>	<p>1 pc.</p>

Optional Accessories

	<p>XGM89 Aluminium snap-on track cover Finish: Bright anodised or satin aluminium</p>
	<p>XGM90 Aluminium channel cover Finish: Bright anodised or Satin Aluminium</p>
	<p>XGM91 Aluminium bottom U-Channel Finish: Bright anodised or Satin aluminium Suitable for 8 to 10mm glass thickness</p>
	<p>UC-175225 Aluminium bottom U-Channel Finish: Bright anodised or Satin aluminium Suitable for 8 to 10mm glass thickness</p>

Top Track Snap On Cover and Channel Cover

Complete a smooth and clean look of the shower screen with snap on cover and channel cover accessories. Protects and concealed sliding door gear and undesirable open channel. Cover Accessories are available for Wall to Wall and Corner Joint System.



APPLICATIONS

- Maximum Door Weight: 50kg
- Maximum Door Width: 750mm
- Maximum Door Height: 2000mm
- Maximum Glass Thickness: 8, 10mm

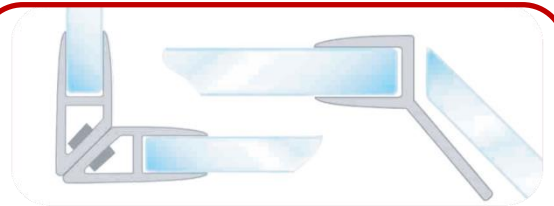
Due to the company's policy of continuous product development and enhancement, the specifications and details contained in this brochure are subject to alteration without prior notice.

The dimensions, details, specifications and statements made herein or by our representatives arising out of any enquiries are given for information purposes only. They are not intended to have any legal effect and the company will not be bound thereby. The company will only accept obligations which are expressly negotiated for, and agreed and incorporated into written agreements made specifically with its respective customers.

RELATED PRODUCTS



CERISE – Door Knobs



GERDA – Vinyl Clip Seals