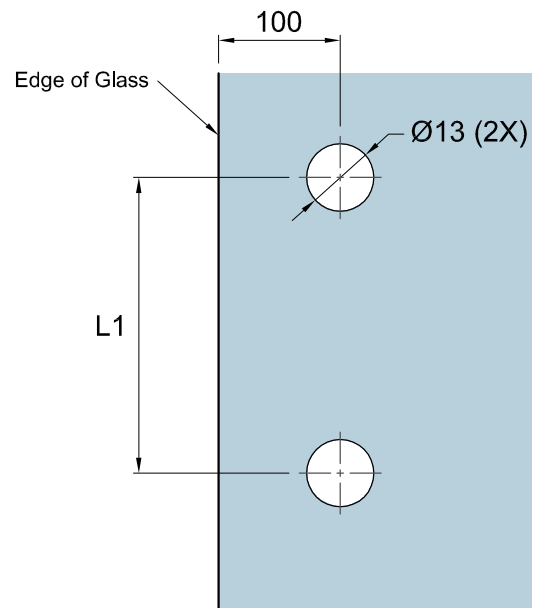
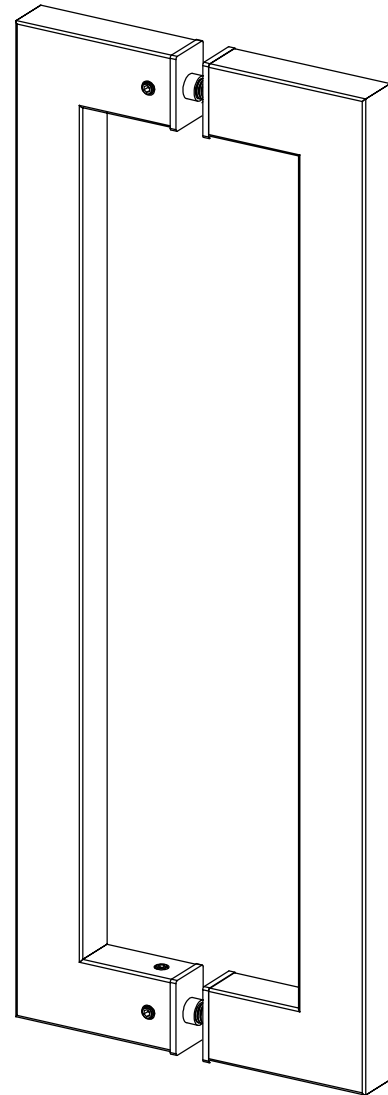
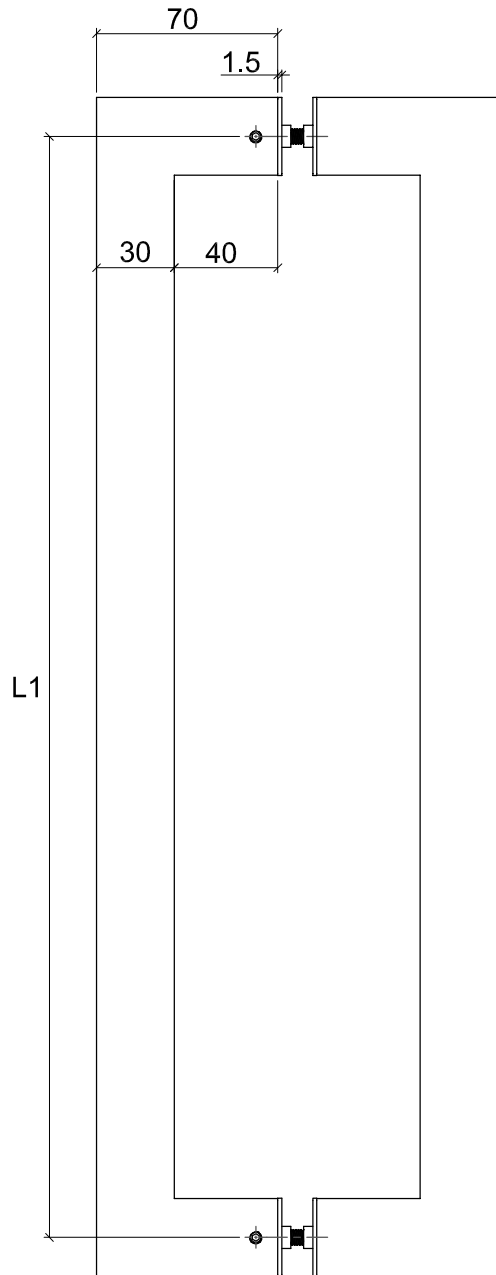
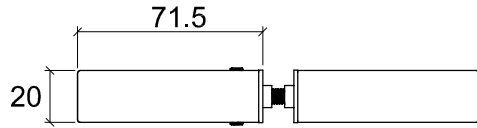


REV.	DESCRIPTION	DATE
1		
2		
3		



Glass Preparation

RECTANGULAR DIMENSION (mm)	L1 c/c
30X20	1200
	1500