



*Glazing Channel for Fixed Panel*

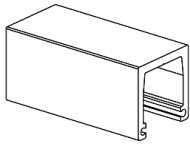
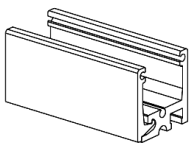


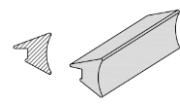
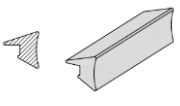
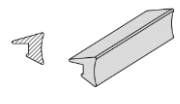
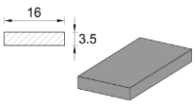
# **FCM26**

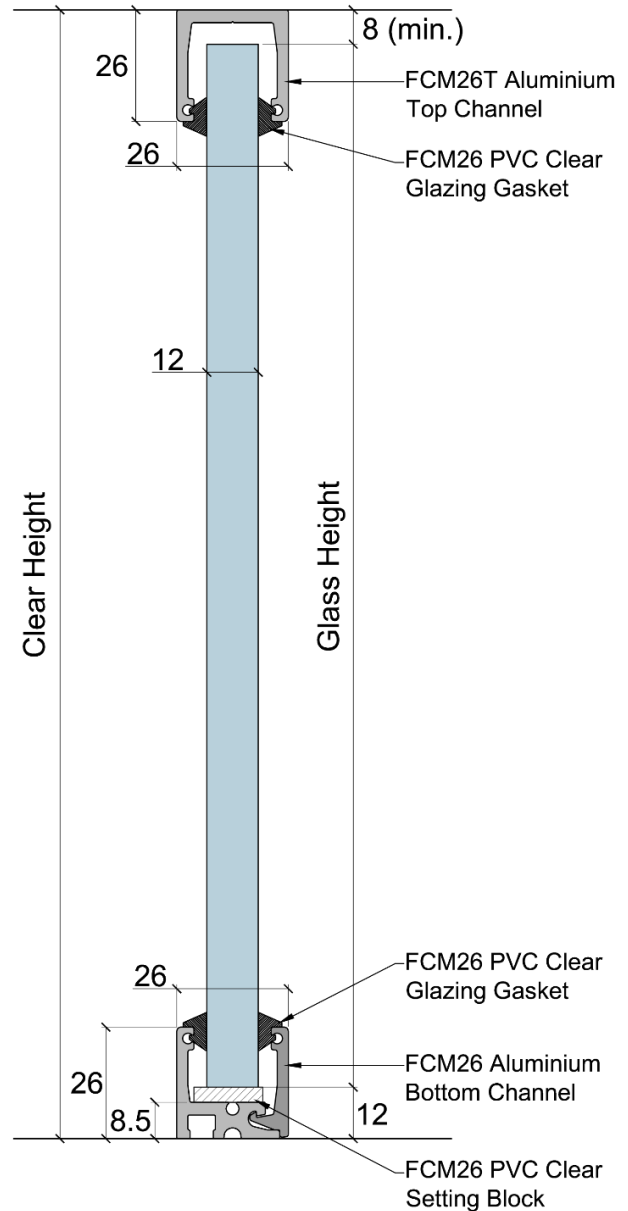
***Glazing Channel for Fixed Panel***

**APPLICATIONS**

- Glass Thickness: 10 mm to 13.52 mm
- Finishes:  
Natural Anodised Aluminium  
Bright Anodised Aluminium  
Satin Aluminium

EXTRUSION PROFILE	
<b>FCM26T</b>	 <p>Top Rail</p>
<b>FCM26</b>	 <p>Bottom Rail</p>

Glazing Gasket	
<b>1263</b>	 <p>Glazing Outer Gasket (for 10mm Glass)</p>
<b>1262</b>	 <p>Glazing Outer Gasket (for 12mm Glass)</p>
<b>1260</b>	 <p>Glazing Outer Gasket (for 13.52mm Glass)</p>
<b>7116T</b>	 <p>Setting Block</p>



*Due to the company's policy of continuous product development and enhancement, the specifications and details contained in this brochure are subject to alteration without prior notice.*

*The dimensions, details, specifications and statements made herein or by our representatives arising out of any enquiries are given for information purposes only. They are not intended to have any legal effect and the company will not be bound thereby. The company will only accept obligations which are expressly negotiated for, and agreed and incorporated into written agreements made specifically with its respective customers.*