

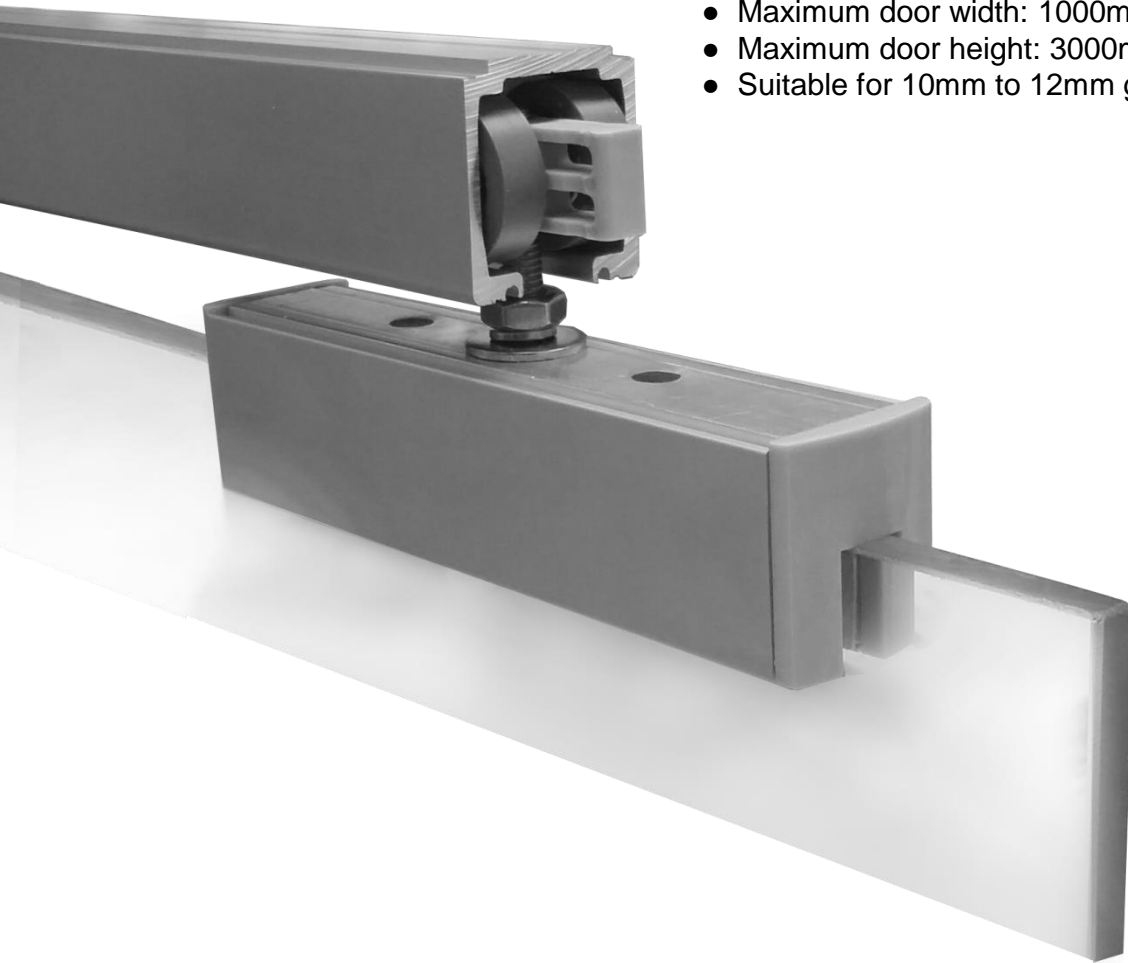
P & M[®] SF98

Sliding Door Gear

Maximum weight: 100kg

Registered Design no.30201501451S

- Connecting stainless steel dowel pins
- Flexible rollers arrangement
- Aesthetic clamp covers and end caps
- Maximum door weight: 100kg
- Maximum door width: 1000mm
- Maximum door height: 3000mm
- Suitable for 10mm to 12mm glass thickness



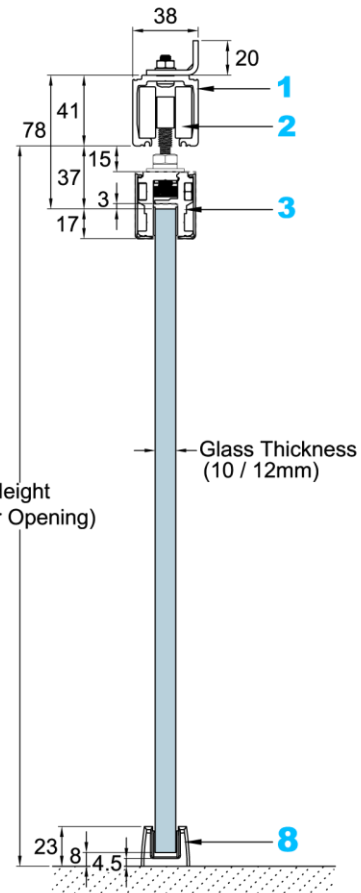
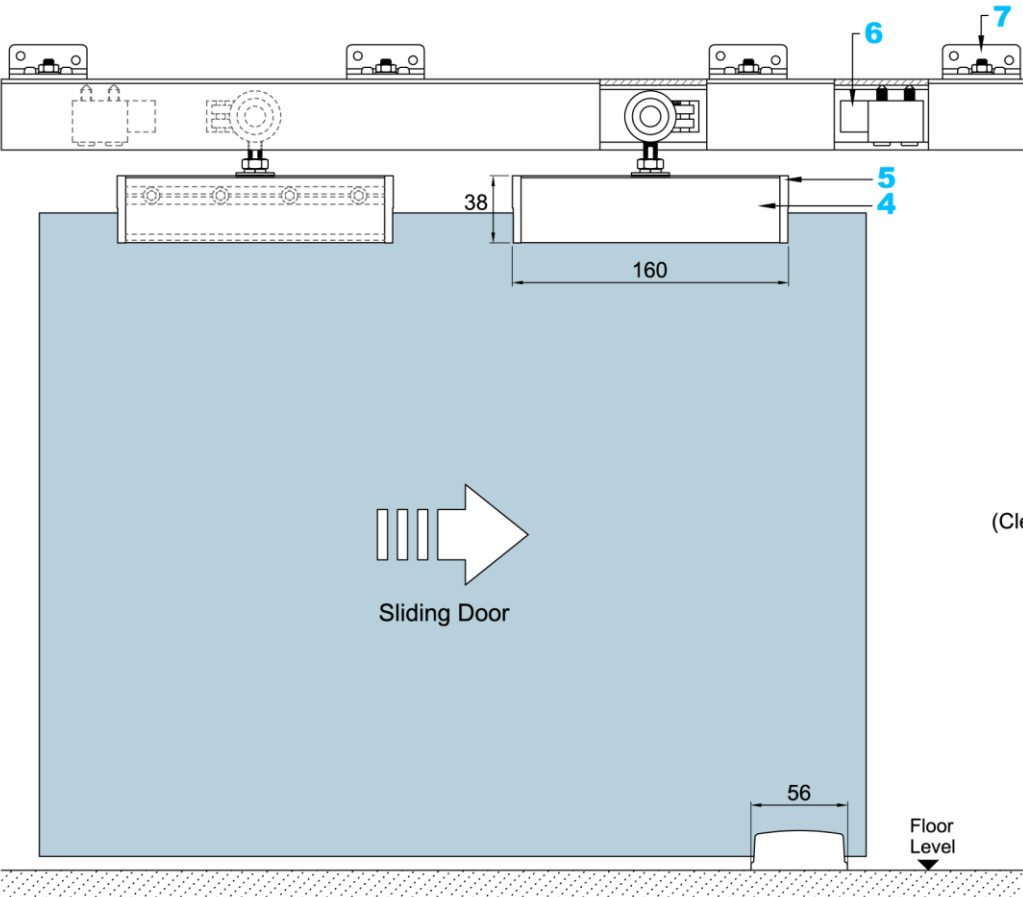
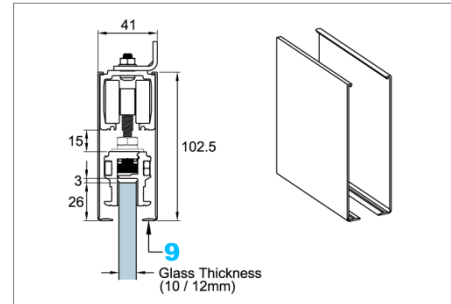
SF98

Components

- ① TR608 Aluminium top track (2.5m length)
- ② CR608-1 Carriage roller (2 nos)
- ③ SF-AC608-150 Aluminium glass clamp (2 nos) with
- ④ F540 Clip-on cover (natural anodised finish) and
- ⑤ EC38 Nylon end cap
- ⑥ ESC608 End stopper with catch device (2 nos)
- ⑦ SF-WMB.3 Wall mount bracket (4 nos)
- ⑧ UG-N01 Nylon floor guide (1 no)

Options:

- ⑨ F239 Satin aluminum clip-on cover



Registered Design No. 30201501451S

**Glass Height = Height - (37 + 8)