

**P & M**®



**PS860**

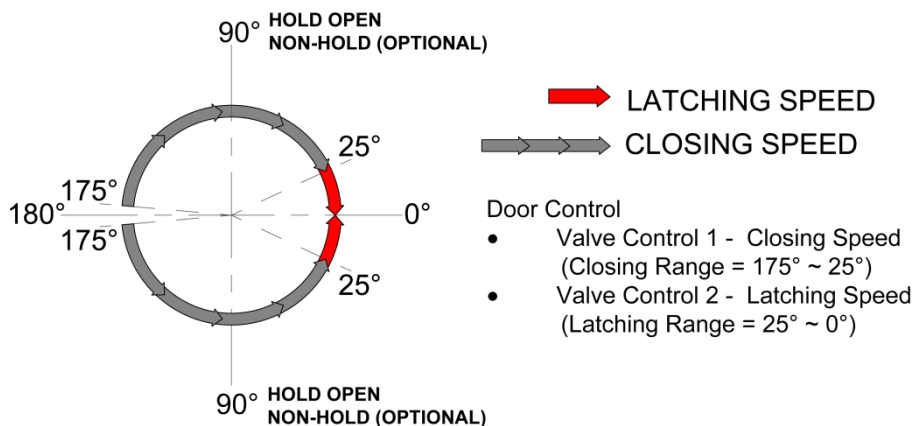
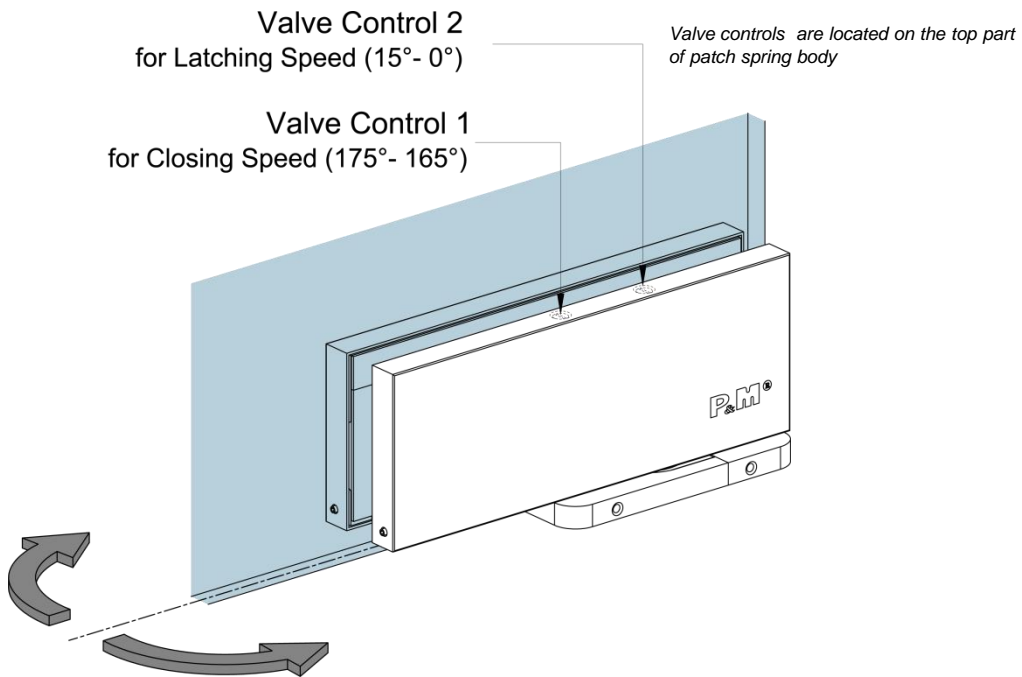
*Hydraulic Patch Spring*

- Maximum weight: 80kg
- Double action closer
- Spring power up to 22N
- Adjustable closing and latching speed
- SUS304 Stainless steel mounting base for wet conditions
- Blend in with Merlin universal patch fittings

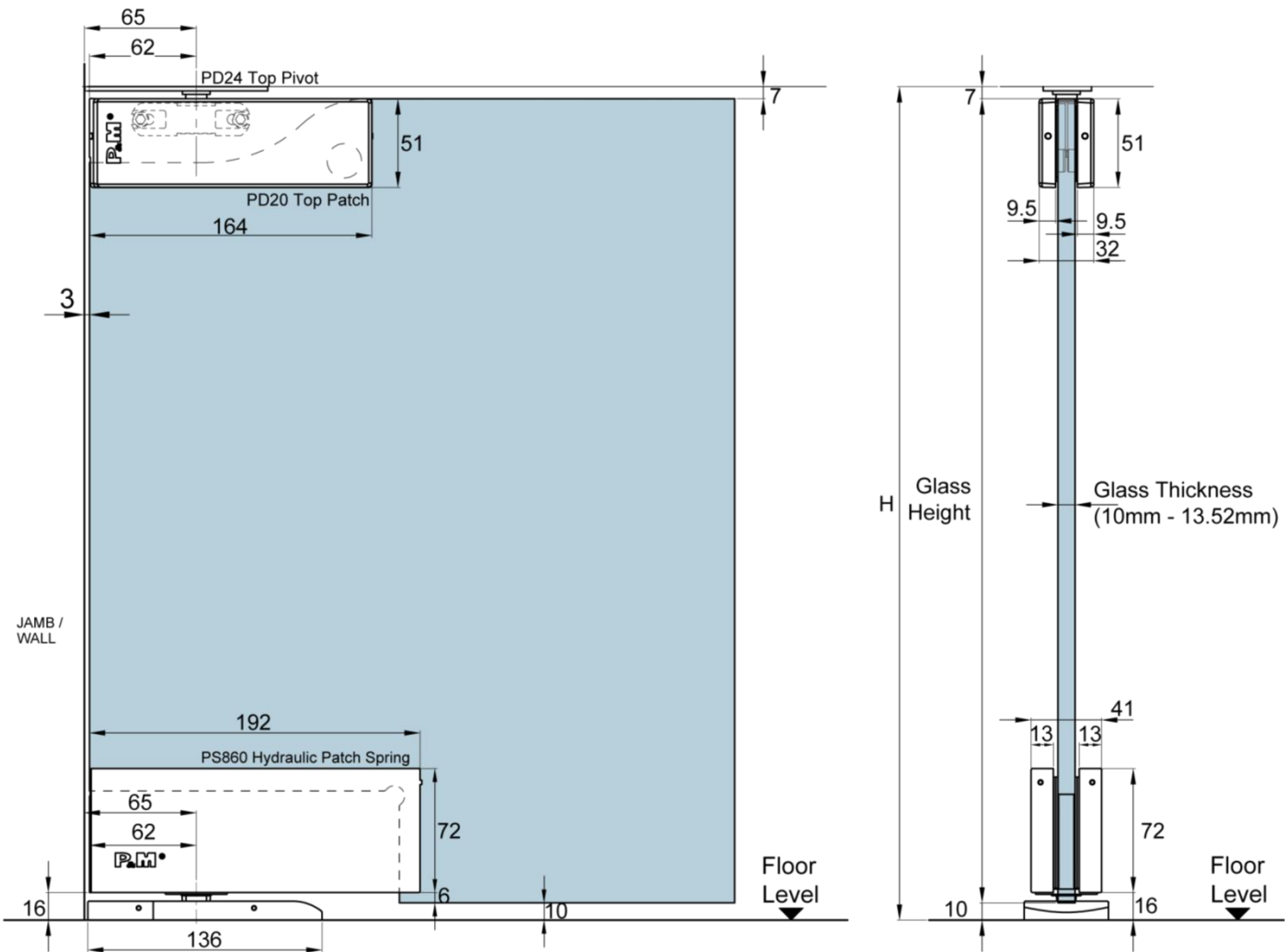
**PS860**

*Hydraulic Patch Spring*

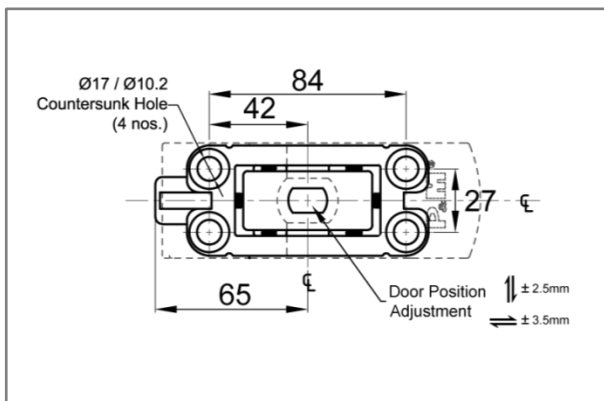
- 90° Hold open
- 125 ° Hold open ( Optional)
- Non-hold open (Optional)
- Glass thickness up to 13.52mm
- Available spring power size: EN2 and EN3
- Maximum door weight: 80 kg
- Maximum door width: 1200mm
- Adjustable closing speed and latching speed
- Available finish: Polished stainless steel or Satin stainless steel



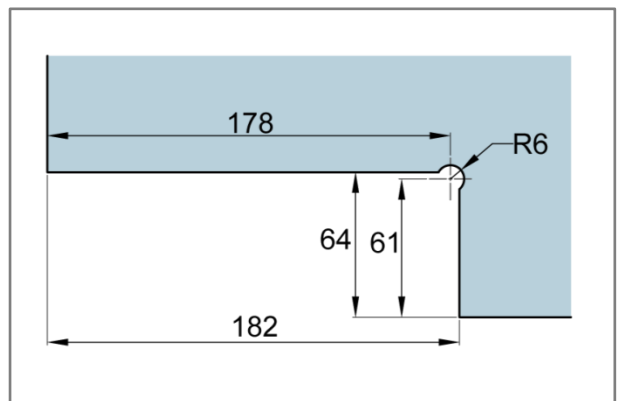
**PS860 Patch Spring Dimension:**



**Mounting Base**



**PS860 Glass Notch**



**Related Products**



**Door Handles – Melosa or Olivia Series**



**Patch Fittings – Merlin & Prima Series**

*Due to the company's policy of continuous product development and enhancement, the specifications and details contained in this brochure are subject to alteration without prior notice.*

*The dimensions, details, specifications and statements made herein or by our representatives arising out of any enquiries are given for information purposes only. They are not intended to have any legal effect and the company will not be bound thereby. The company will only accept obligations which are expressly negotiated for, and agreed and incorporated into written agreements made specifically with its respective customers.*



**Preference Pte Ltd**

No.2 Kallang Pudding Road #01-02 Mactech Building Singapore 349307

Tel: (65) 6746 5185 Fax: (65) 6746 8749 Email: [enquiry@preference.com.sg](mailto:enquiry@preference.com.sg) Website: [www.preference.com.sg](http://www.preference.com.sg)